

Technical Specifications

Electrical Requirements

⚠ WARNING: Construction and wiring must comply with local building codes and other applicable regulations to reduce the risk of fire, electric shock and injury to persons.

⚠ WARNING: To reduce the risk of fire, electric shock or injury to persons, always use a licensed electrician.

! NOTE: A dedicated, properly fused 13 Amp circuit is required, rated for the appropriate voltage (230-240V). An isolation switch should also be incorporated in cases where the product plug is inaccessible after installation.

Technical Information

Rating : 230-240V~50Hz

Heat Output

230V

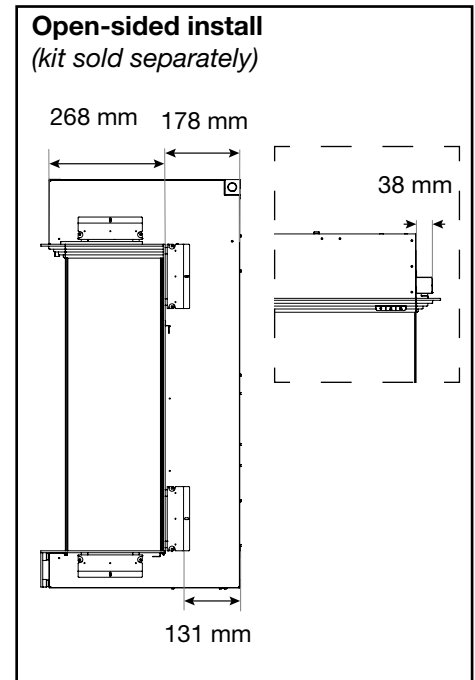
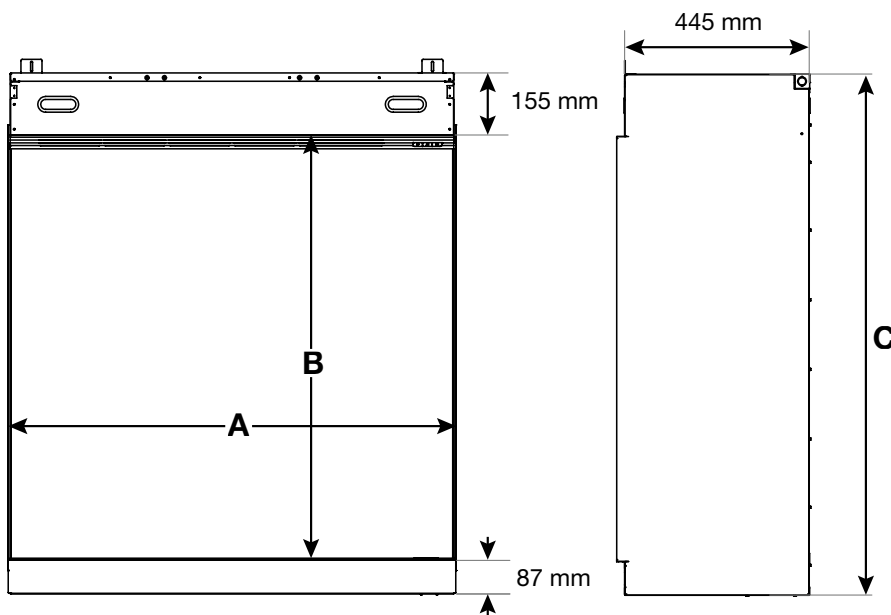
240V

| | | | | | |
|--------------------------------|-------------|-----|---|-----|----|
| Nominal Heat Output | P_{Nom} | 1.8 | - | 1.9 | kW |
| Minimum Heat Output | P_{min} | 0.9 | - | 0.9 | kW |
| Maximum Continuous Heat Output | $P_{max,c}$ | 1.8 | - | 1.9 | kW |

Auxiliary Electricity Consumption

| | | | | | |
|-----------------|-----------|-----|---|-----|---|
| In Standby Mode | el_{SB} | 0.5 | - | 0.5 | W |
|-----------------|-----------|-----|---|-----|---|

Product Dimensions



| Model | A | B | C |
|----------|---------|--------|---------|
| ASP30-EU | 777 mm | 711 mm | 953 mm |
| ASP36-EU | 929 mm | 864 mm | 1105 mm |
| ASP42-EU | 1082 mm | 940 mm | 1181 mm |