

# Installation and User's Guide



EN

DE

FR

NL

## **IMPORTANT SAFETY INFORMATION:**


Read this manual first before attempting to install or use this electric fire. Always comply with the warnings and safety instructions contained in this manual and presented on the appliance to prevent personal injury or property damage.

The product complies with the required Product Safety, Electromagnetic Compatibility and Environmental Standards. This product is fully compliant with LVD, EMC, RoHs and EcoDesign Directives.



# Table of Contents

---

<b>Welcome</b> .....	<b>3</b>
<b> IMPORTANT INSTRUCTIONS</b> .....	<b>4</b>
<b>Technical Specifications</b> .....	<b>6</b>
Electrical Rating .....	6
Technical Information .....	6
Product Dimensions .....	6
<b>Package Contents</b> .....	<b>7</b>
<b>Installation</b> .....	<b>9</b>
Placement .....	9
Preparing the Firebox for Installation .....	10
Installation Instructions .....	11
Electrical Installation .....	14
Heater Hardware Disconnect .....	15
Mirrored Glass Installation .....	16
Media Arrangement .....	16
Side Glass Installation .....	17
Front Glass Installation .....	17
<b>Operation</b> .....	<b>18</b>
General Operation .....	18
Hidden Touch Controls .....	18
Remote Operation .....	18
App .....	18
Resetting the Temperature Cutoff Switch .....	18
<b>Maintenance</b> .....	<b>21</b>
Remote Control Battery Replacement .....	21
Cleaning .....	21
Servicing .....	21
<b>Troubleshooting</b> .....	<b>22</b>

# Welcome

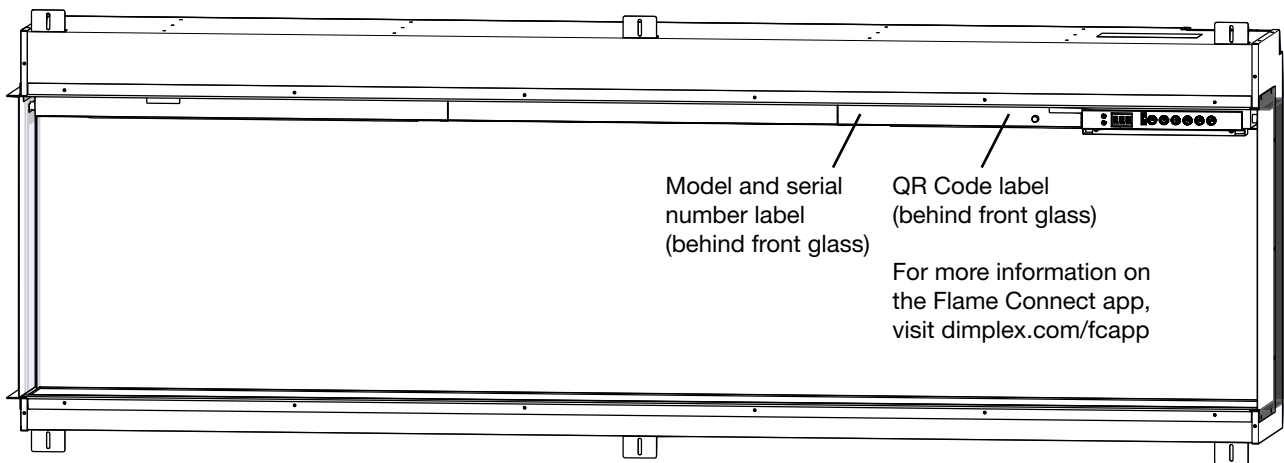
---

## MODEL NUMBER AND SERIAL NUMBER

Please record your model and serial numbers for future reference.

Model \_\_\_\_\_

Serial Number \_\_\_\_\_



# SAVE THESE INSTRUCTIONS

# IMPORTANT INSTRUCTIONS

---

**CAUTION: FAILURE TO FOLLOW THESE INSTRUCTIONS MAY CAUSE INJURY AND/OR DAMAGE AND MAY INVALIDATE YOUR GUARANTEE**

## **Important Safety Advice**

When using electrical appliances, basic precautions should always be followed to reduce the risk of fire, electrical shock and injury to persons, including the following:

- If the appliance is damaged, check with the supplier before installation and operation.
- Do not use outdoors.
- Do not use in the immediate surroundings of a bath, shower or swimming pool.
- Do not locate the appliance immediately below a fixed socket outlet or connection box.

**Warning:** This heater must not be used for anything other than normal domestic household purposes in the country where it was purchased from a recognised commercial retailer.

Do not use this heater if it has been dropped

Do not use if there are visible signs of damage to the heater.

Use this heater on a horizontal and stable surface, or fix it to the wall, as applicable.

Children of less than 3 years should be kept away unless continuously supervised. Children aged from 3 years and less than 8 years shall only switch on/off the appliance provided that it has been placed or installed in its intended normal operating position and they have been given supervision or instruction concerning use of the appliance in a safe way and understanding the hazards involved. Children aged from 3 years and less than 8 years shall not plug in, regulate and clean the appliance or perform user maintenance.

**CAUTION: Some parts of this product can be very hot and cause burns. Particular attention has to be given where children and vulnerable people are present.**

This appliance can be used by children aged from 8 years and above and persons with reduced physical, sensory or mental capabilities or lack of experience and knowledge if they have been given supervision or instruction concerning use of the appliance in a safe way and understand the hazards involved. Children shall not play with the appliance. Cleaning and user maintenance shall not be made by Children without supervision.

**Warning:** Do not use this heater in small rooms when they are occupied by persons not capable of leaving the room on their own, unless constant supervision is provided.

**Warning:** In order to avoid overheating, do not cover the appliance. Do not place material or garments on the appliance, or obstruct the air circulation around the appliance, for instance by curtains or furniture, as this could cause overheating and a fire risk.

The appliance carries a "Do Not Cover" warning. 

**Warning:** To reduce the risk of fire, keep textiles, curtains, or any other flammable material a minimum distance of 1m from the air outlet.

**Warning:** In order to avoid a hazard due to inadvertent resetting of the thermal cut-out, this appliance must not be supplied through an external switching device, such as a timer, or connected to a circuit that is regularly switched on and off by the utility.

# IMPORTANT INSTRUCTIONS

---

## **WARNING: KEEP BATTERIES OUT OF REACH OF CHILDREN**

- Swallowing may lead to serious injury in as little as 2 hours or death, due to chemical burns and potential perforation of the oesophagus.
- If you think batteries might have been swallowed or placed inside any part of the body seek immediate medical attention
- Examine devices and make sure the battery compartment is correctly secured, e.g. that the screw or other mechanical fastener is tightened. Do not use if the compartment is not secure.
- Dispose of used button batteries immediately and safely. Flat batteries can still be dangerous.

## **CAUTION: No obvious symptoms**

Unfortunately, it is not obvious when a button or coin battery is stuck in a child's oesophagus (food pipe).

There are no specific symptoms associated with this. The child might:

- cough, gag or drool a lot;
- appear to have a stomach upset or a virus;
- be sick;
- point to their throat or stomach;
- have a pain in their abdomen, chest or throat;
- be tired or lethargic;
- be quieter or more clingy than usual or otherwise "not themselves";
- lose their appetite or have a reduced appetite; and
- not want to eat solid food/be unable to eat solid food.

These sorts of symptoms vary or fluctuate, with the pain increasing and then subsiding.

A specific symptom to button and coin battery ingestion is vomiting fresh (bright red) blood. If the child does this seek immediate medical help.

- The lack of clear symptoms is why it is important to be vigilant with "flat" or spare button or coin batteries in the home and the products that contain them.



# Technical Specifications

## Electrical Requirements

**⚠ WARNING:** Construction and wiring must comply with local building codes and other applicable regulations to reduce the risk of fire, electric shock and injury to persons.

**⚠ WARNING:** To reduce the risk of fire, electric shock or injury to persons, always use a licensed electrician.

**! NOTE:** A dedicated, properly fused 13 Amp circuit is required, rated for the appropriate voltage (230-240V). An isolation switch should also be incorporated in cases where the product plug is inaccessible after installation.

## Technical Information

Rating: 230-240V~50Hz

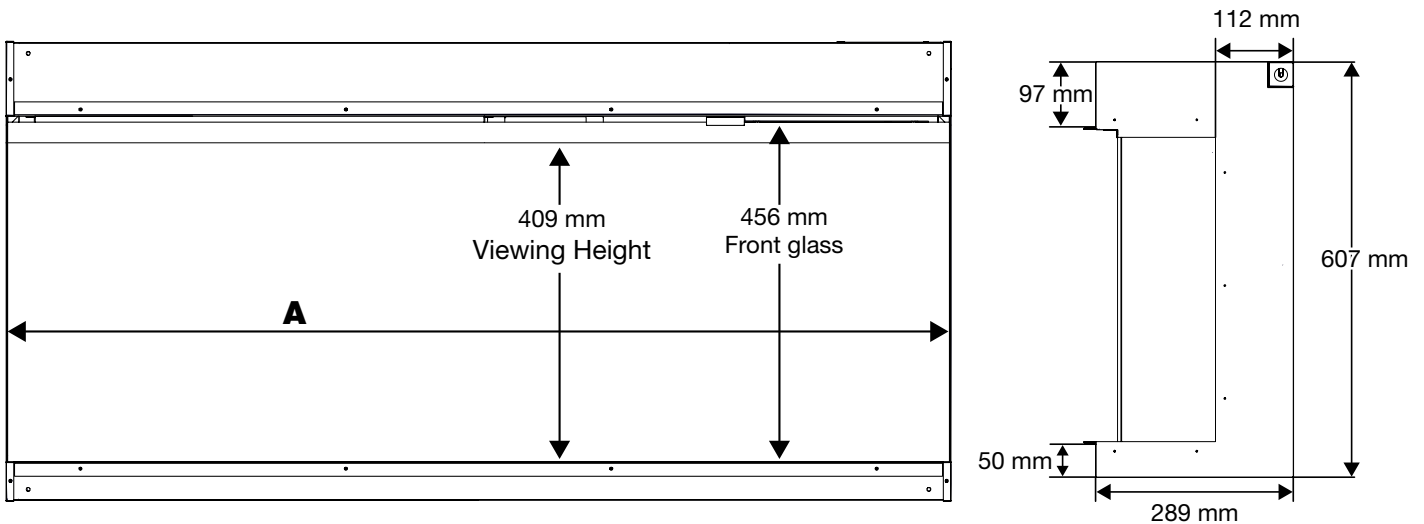
Heat Output		230V		240V	
Nominal Heat Output	$P_{Nom}$	1.8	-	1.9	kW
Minimum Heat Output	$P_{min}$	0.9	-	0.9	kW
Maximum Continuous Heat Output	$P_{max,c}$	1.8	-	1.9	kW

## Auxiliary Electricity Consumption

In Standby Mode	$el_{SB}$	0.5	-	0.5	W
-----------------	-----------	-----	---	-----	---

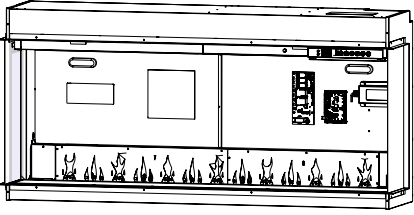
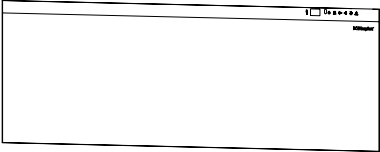
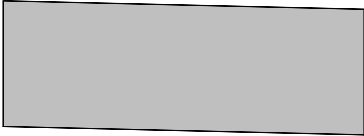


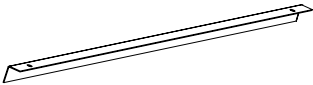
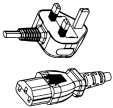
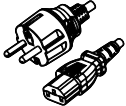


with electronic room temperature control.

## Product Dimensions

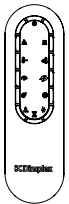

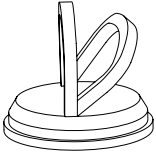

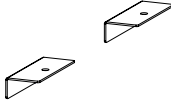
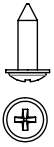

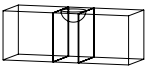
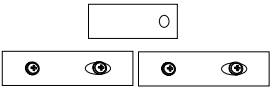


Model	A
BXLF1200	1246 mm
BXLF1500	1565 mm
BXLF1800	1883 mm

# Package Contents

Image	Description	Quantity		
		BXLF1200	BXLF1500	BXLF1800
	Firebox	1	1	1
	Front Glass	1	1	1
	Mirrored Glass	1	1	1
	Side Glass	2	2	2
	Closed Side Trim	2	2	2
	Mirrored Glass Bracket (lengths may vary)	1	2	2
	UK Cord Set	1	1	1
	EU Cord Set	1	1	1
	Logs	7	9	11
	Tumbled Glass Media	4 kg	5 kg	6 kg

# Package Contents

Image	Description	BXL1200	BXL1500	BXL1800
	Remote Control	1	1	1
	User's and Installation Guide	1	1	1
 <p data-bbox="113 965 523 1081"><i>Do not dispose of the suction cup after installation. Keep it in a secure location as it will be helpful for maintenance and service of the unit.</i></p>	Suction Cup	1	1	1
<b>Hardware Kit</b>				
	Mounting Brackets	4	4	6
	Front Glass Brackets	1	2	2
	25.4 mm Wood Screws	4	4	6
	Black Screws	11	14	16
	Bubble Level	1	1	1
	Linking Kit (2 brackets, 1 clip bracket & 4 screws)	1	1	1



# Installation

---

## Placement

! **NOTE:** It is recommended that the bottom of the unit be mounted between 13 cm and 1 m from the ground to maintain an optimized viewing angle of the flame.

⚠ **WARNING:** The top of the fireplace must be installed a minimum of 61 cm from the ceiling. The fireplace must be installed a minimum of 13 cm from the ground.

### Wi-Fi

For installations where the use of the Flame Connect app is desired, ensure the fireplace is located within range of a Wi-Fi network.

### Installation Recommendations for Overhanging Objects

For overhanging temperature-sensitive objects, such as a television, a mantel, or artwork, always follow the recommendations provided by its manufacturer for installation over a heater.

! **NOTE:** Using normal heat mode, surfaces 7" (177.8 mm) above the fireplace will not exceed 40° C, as long as installation procedures are followed and heater inlet and outlet are not obstructed.

# Installation

## Preparing the Firebox for Installation

! **NOTE:** For multi-unit installation, refer to instructions provided with the linking kit.

1. Remove packing support brackets by removing the screws on each bracket. (Figure 1) These brackets and screws can be discarded.
2. Install the desired side trim option on each side of the firebox. Install the side panel using 7 black screws.
  - For open sides, select the open side trim. The open side trim comes preinstalled on the fireplace. (Figure 2)
  - For closed sides, install the closed side trim. (Figure 3) Do not install the side glass panels in this configuration.
  - For multi-unit installations, remove side panels on adjoining sides by removing the 9 screws. (Figure 4) Do not install any trim or side glass on adjoining sides.
3. Install the power cord, following the instructions in the *Electrical Installation* section (p. 14).
4. If a permanently heat-disabled installation is desired, follow the instructions to disable the heater in the *Permanent Heat Disable* section (p. 15).
5. Carefully lay the firebox on its back and install the mounting brackets to the top and bottom of the firebox with the black screws provided. (Figure 5)

! **NOTE:** There are 4 mounting brackets for BXLF1200 and BXLF1500 units (Figure 6), and 6 mounting brackets for BXLF1800 units. (Figure 7)

! **NOTE:** The mounting brackets are equipped with slots to allow small adjustments to fit the framing. Ensure all the brackets are aligned.

Figure 1

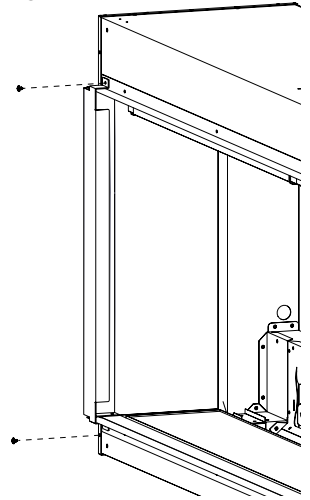


Figure 2

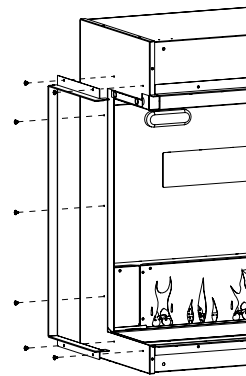


Figure 3

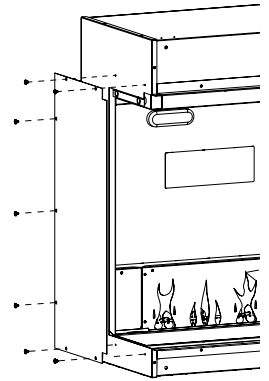


Figure 5

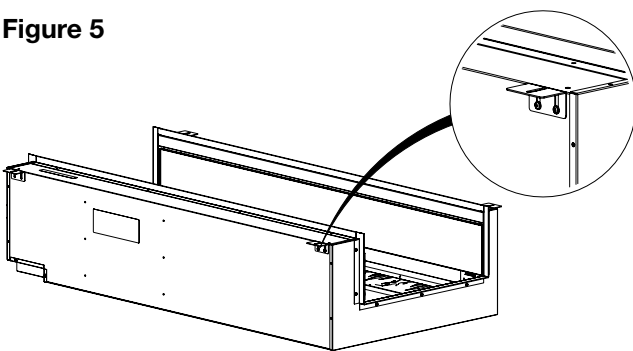


Figure 6

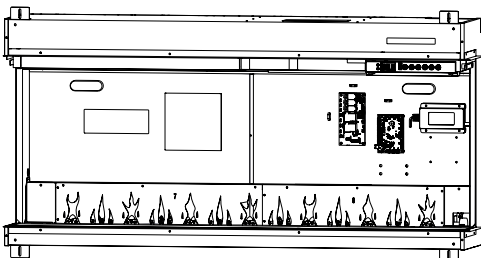


Figure 7

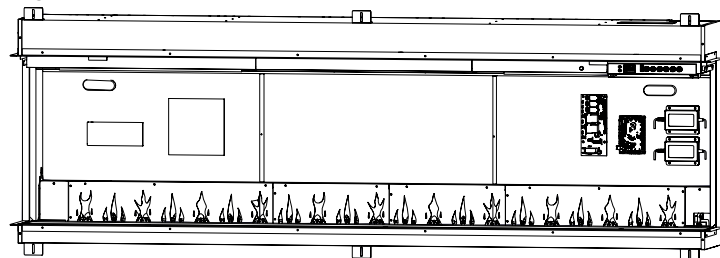
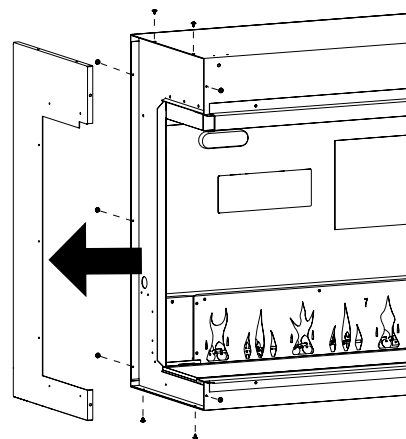


Figure 4



# Installation

## Installation Instructions

! **NOTE:** Two people are required for installation.

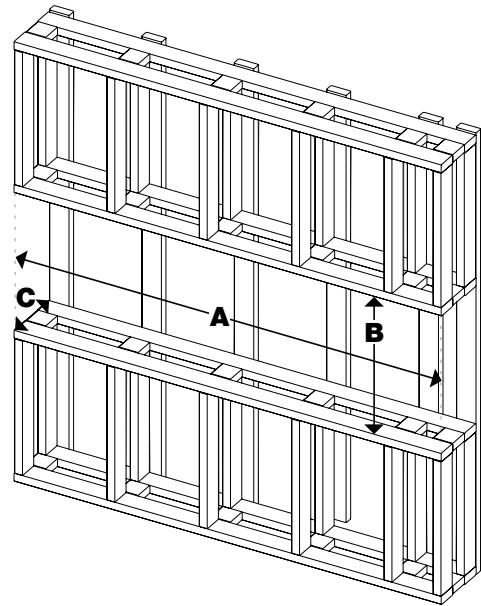
1. Prepare a wall with a framed opening, following the dimensions in the table below. The dimensions are the same for front, corner, and bay installations.

! **NOTE:** These framing dimensions are based on installation with 13 mm drywall.

**Framing Dimensions**

Model	Width	Height	Depth (minimum)
	<b>A</b>	<b>B</b>	<b>C</b>
BXLF1200	1257 mm	616 mm	295 mm
BXLF1500	1581 mm		
BXLF1800	1895 mm		
Custom length for linked	Add widths of units used		

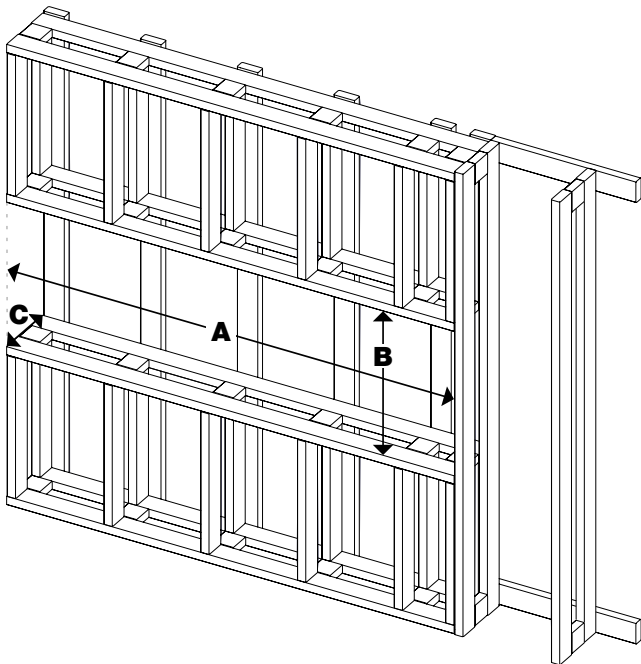
**Figure 8**  
Bay Installation



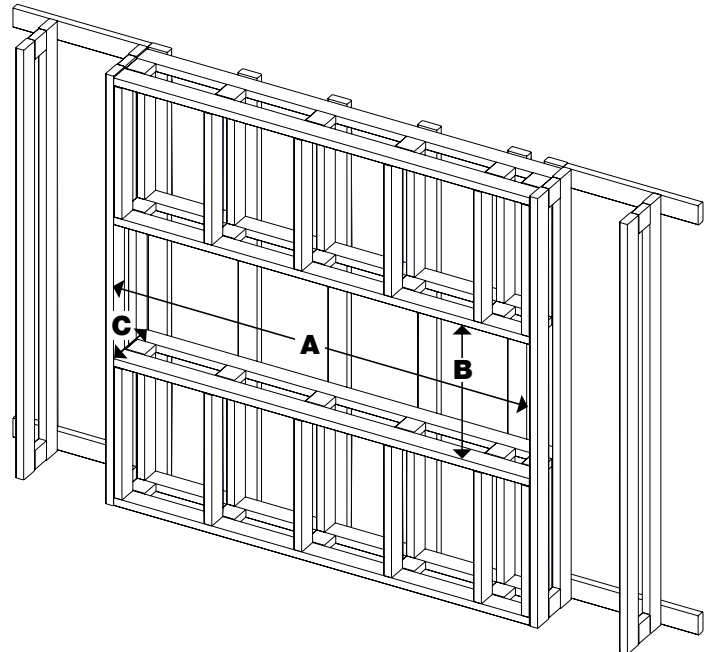
! **CAUTION:** This fireplace is **NOT** load-bearing. Ensure the opening for the fireplace is framed in such a way that the weight of the building materials will not create pressure on the top of the fireplace.

! **NOTE:** Wiring is located at the top right back corner of the firebox. Plan the framing to allow routing the power cord to this location.

**Figure 9**  
Left/Right Corner Installation



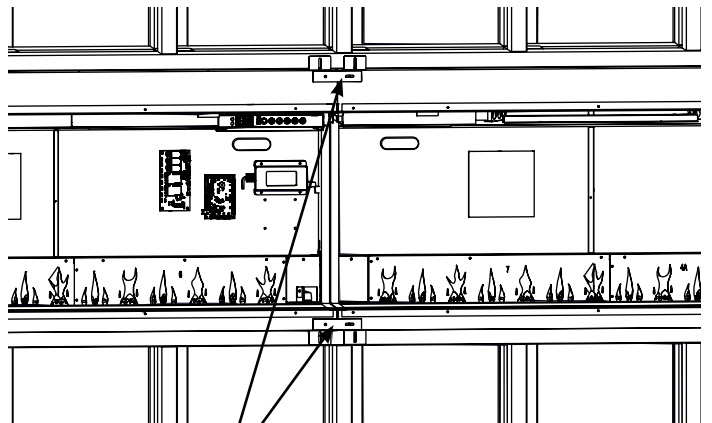
**Figure 10**  
Front Installation



# Installation

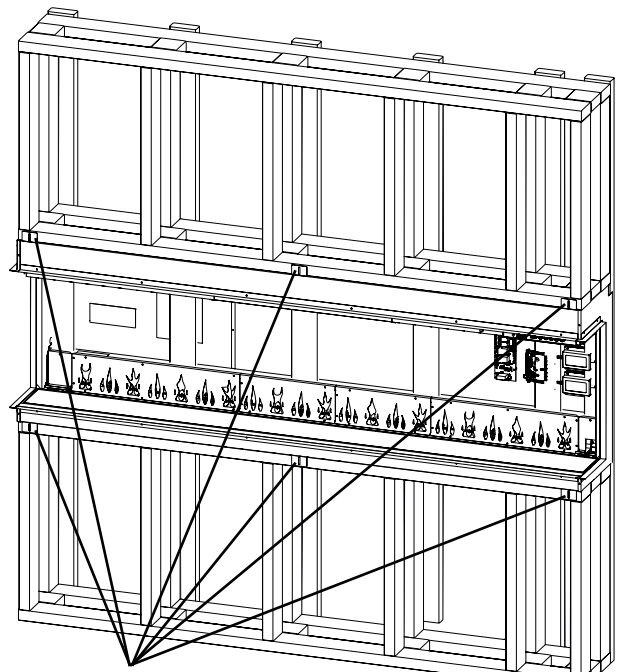
2. Lift the firebox into the opening in the frame using the handles on the back of the fireplace.
- ! **NOTE:** Ensure the instructions for *Preparing the Firebox for Installation* (p. 10) have been completed prior to installation.
3. Plug in the power cord coming from the fireplace.
4. Level the firebox. A bubble level is included in the hardware kit provided.
5. For multi-unit installations, install the joining brackets between adjoining fireplaces. (**Figure 11**)
6. Secure the mounting brackets to the framing on both the top and bottom using the provided wood screws. (**Figure 12**) The mounting brackets will prevent the firebox from shifting in the framing.
7. Install finishing material up to the trim. (**Figures 13 and 14**)
- ! **CAUTION:** Do not drill into firebox housing.
8. Finish the installation using the finishing materials of your choice.
9. Complete the installation using the instructions in the following sections: *Mirrored Glass Installation* (p. 16), *Arranging Media* (p. 16), *Front Glass Installation* (p. 17), and *Side Glass Installation* (p. 18).

**Figure 11**



Adjoining brackets for multi-unit installations

**Figure 12**



Mounting brackets  
(center brackets not present on BXLF1200 and BXLF1500 units)

# Installation

---

Figure 13

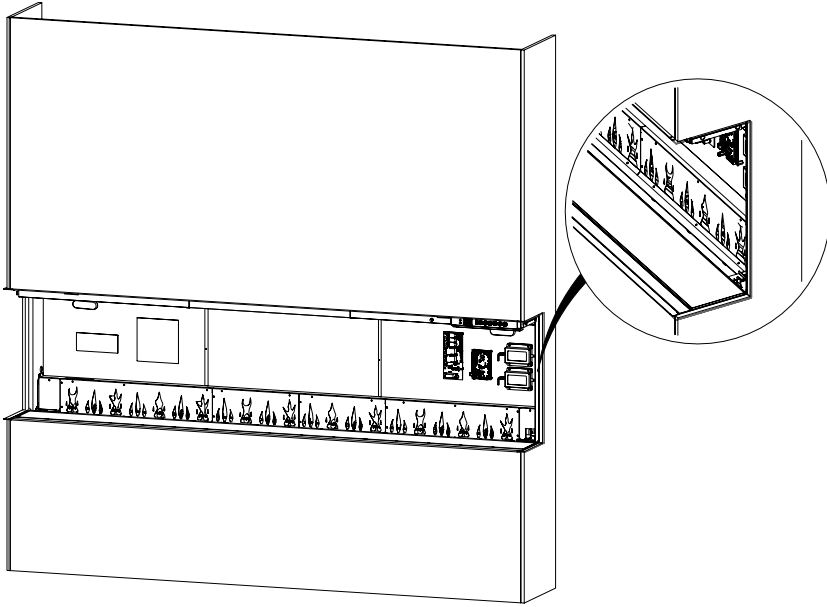
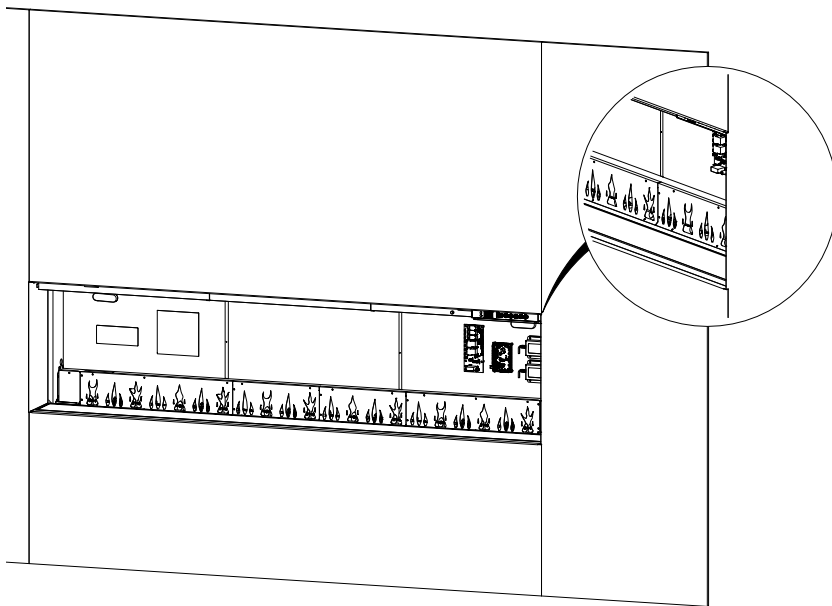


Figure 14



# Installation

## Electrical Installation

**⚠ WARNING:**

The installation of the electric fireplace must comply with the applicable Local and/or National Electrical Codes and utility requirements.

Use the appropriate cord to meet local and national electrical codes for rated power consumption.

**⚠ CAUTION:** A dedicated, properly fused 13 Amp circuit is required, rated for the appropriate voltage (230-240V). An isolation switch should also be incorporated in cases where the product plug is inaccessible after installation.

### Power Cord Installation

1. Select the suitable cord set (the EU or UK option). (Figure 15)
2. Install the power cord by plugging it into the corded receptacle on the fireplace. (Figure 16)

**⚠ WARNING:** This heater is not intended for use with an extension cord. Plug the cord directly into an appropriate grounded receptacle.

Figure 15

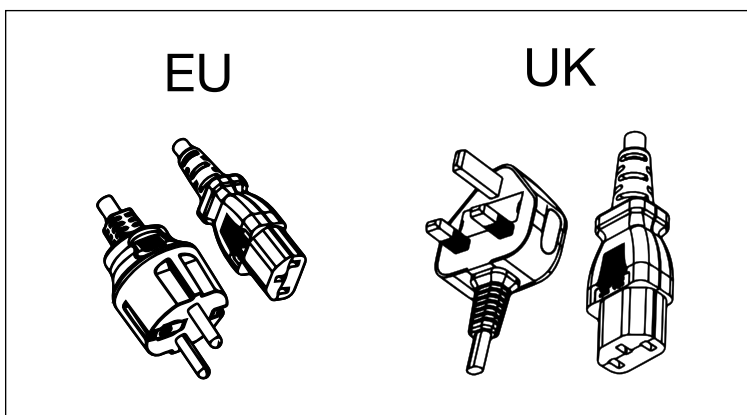
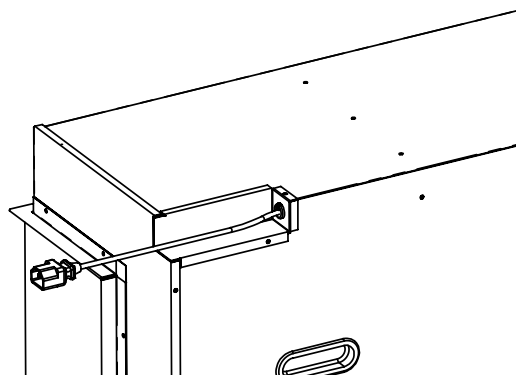


Figure 16



## Heater Hardware Disconnect

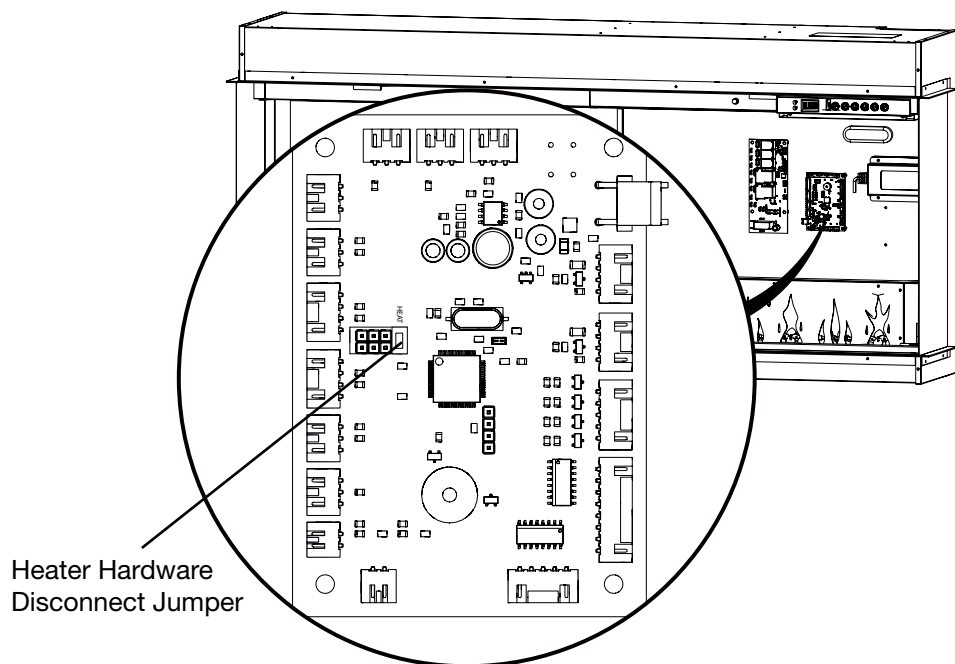
The fireplace heater can be permanently disabled by removing the electronic jumper on the control board.

**! NOTE:** Heater hardware disconnect will permanently disable the heater and fan. Follow these instructions only when an installation without heat is required. Temporary disabling of the heater can be achieved through the hidden touch controls. See “Heat Disable” in *Operation* section (page 19) for instructions.

### To disconnect the heater and fan permanently:

1. Locate the control board. The heater hardware disconnect jumper location is labeled “HEAT”. (Figure 17)
2. Pull out the heater hardware disconnect jumper.

Figure 17



# Installation

## Mirrored Glass Installation

1. Attach the provided suction cup to the reflective side of the mirrored glass. Ensure the suction cup is securely attached.
2. Using the suction cup to assist, lift the mirrored glass and place it into the bottom slot at an angle.
3. Tilt the mirrored glass into a vertical position. (Figure 18)
4. Align the holes on the inside of the unit with the holes on the bracket and install the mirrored glass brackets using the provided black screws. (Figure 19)

! **NOTE:** Use a flashlight to locate the screw holes in the fireplace.

⚠ **CAUTION:** Ensure the mirrored glass does not fall forward while the mirrored glass mounting brackets are being installed.

5. Remove the suction cup and clean any fingerprints or debris off the glass with a non-abrasive glass cleaner.

! **NOTE:** Do not dispose of the suction cup! Keep it in a secure location, as it may be needed for maintenance and service on this fireplace.

Figure 18

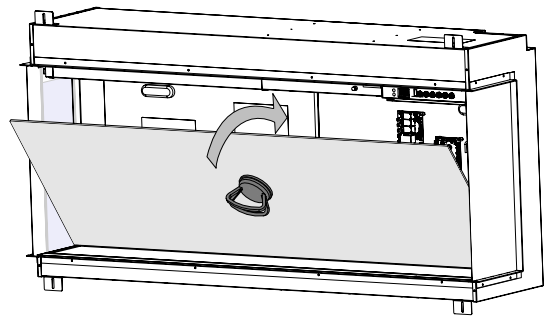
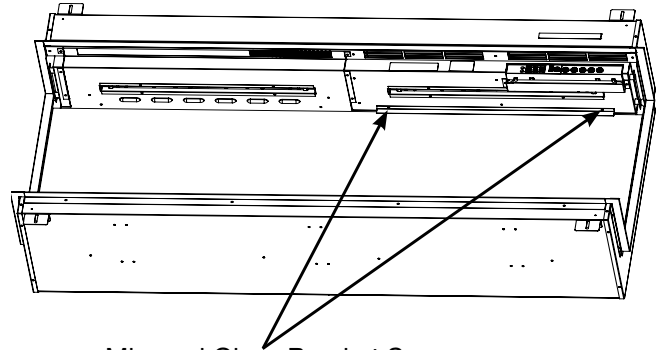


Figure 19



Mirrored Glass Bracket Screws

! **NOTE:** BXL1500 and BXL1800 have two brackets. One bracket is on the inner top right side of the unit and the other is on the left.

## Media Arrangement

For best results when using the supplied media, arrange as follows:

! **NOTE:** Remove the plastic film from the media bed before adding the media.

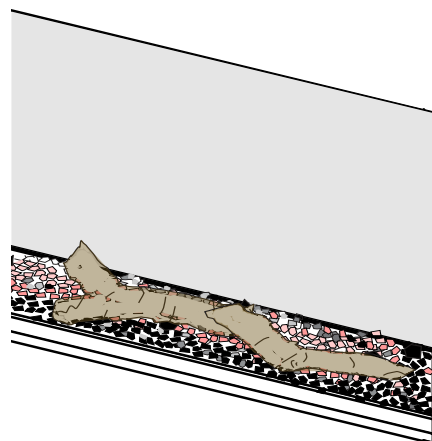
1. Mix the tumbled glass media pieces.
2. Evenly disperse the tumbled glass media to entirely cover the media bed.

! **NOTE:** For a more realistic appearance, arrange the black and grey tumbled glass media around the front and sides of the media bed.

3. Place the log pieces on top of the tumbled glass media.

It is possible to use custom media ornaments to decorate your firebox. The custom media must fit easily without scratching the glass or bowing the media bed, and must not be composed of sand or liquid, which could interfere with the safety of the firebox.

Figure 20



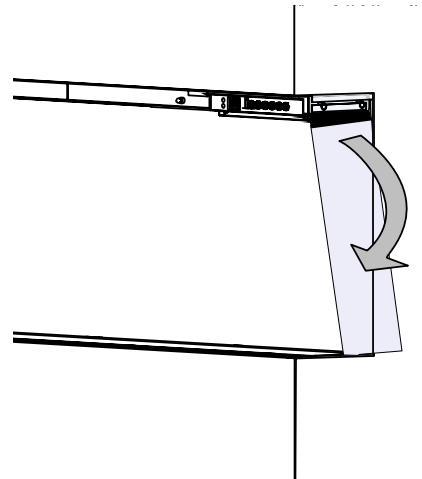


# Installation

## Side Glass Installation

1. Ensure the matte side of the upper black trimming is oriented toward the inside.
2. Insert the top of the glass panel into the upper slot.
3. Carefully tilt it toward the inside until it is in the vertical position. Once in place, it will drop into the correct position. (Figure 21)
4. Repeat on the other side for bay installations.

Figure 21



## Front Glass Installation

**! NOTE:** Wait to power on the unit after the front glass is installed. If the power is already connected prior to the front glass installation, cycle the power on and off to engage the hidden touch controls.

1. Ensure there are no debris or finger prints on the mirrored glass, inner sides of the side glass, or on the inner side of the front glass before you begin.
2. Attach the provided suction cup to the outer side of the front glass. Ensure the suction cup is securely attached.
3. Using the suction cup to assist, lift the glass and place it into the bottom slot at an angle.
4. Tilt the glass into a vertical position. (Figure 22)
5. Secure using the provided front glass brackets and black screws provided. (Figure 23)

Figure 22

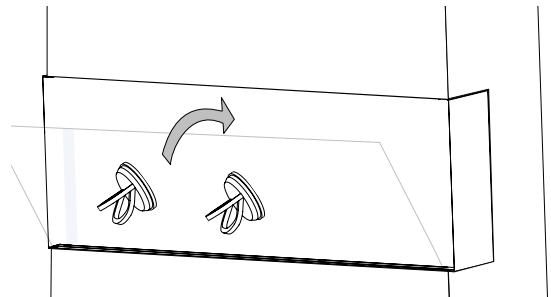
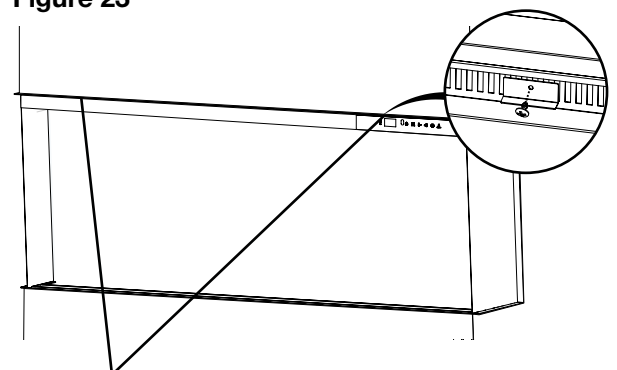


Figure 23



Front Glass Brackets

**! NOTE:** There is one front glass bracket for the BXLF1200, and two front glass brackets for the BXLF1500, and BXLF1800 units.

**⚠ CAUTION:** Ensure the front glass does not fall forward while the glass mounting brackets are being installed.

6. Remove the suction cup and clean any fingerprints or debris off the glass with a nonabrasive glass cleaner.

**! NOTE:** Do not dispose of the suction cup! Keep it in a secure location, as it may be needed for maintenance and service on this fireplace.

# Operation

## General Operation

**⚠ WARNING:** This electric firebox must be properly installed before it is used.

This firebox operates with ComfortSaver™ technology, which automatically adjusts the fan speed and heater wattage to safely and precisely match the requirements of the room based on the thermostat setting. The heater operates such that once the room reaches the set point, the fan and heater will continuously run at a low level, to maintain the desired room temperature. If the temperature in the room rises significantly, the heater will turn off and periodically turn back on to circulate the air around the unit, until the room temperature drops and requires the heater to be on again.

**! NOTE:** The element retains heat after shutdown. When the heat is turned off, there is a two-minute cool down period before the fan shuts off completely.

**! NOTE:** The fireplace will retain the previously used settings after a power interruption.

## Hidden Touch Controls

The hidden touch controls are located on the upper right of the fireplace. (Figure 24)

## Remote Operation

The fireplace is supplied with a multifunction IR remote control. (Figure 25)

**! NOTE:** To operate correctly, the remote control must be pointed toward the front of the unit.

## App

The fireplace is capable of being controlled using the Flame Connect app for mobile devices. For up-to-date information about the app, please visit [www.dimplex.com/fcapp](http://www.dimplex.com/fcapp)

## Resetting the Temperature Cutoff Switch

Should the heater overheat, a manual limit cut-out will turn the unit off and it will not come back on without being reset. It can be reset by turning the unit off at the main disconnect panel and waiting 30 minutes before turning the unit back on.

**⚠ CAUTION:** If you need to continuously reset the heater, turn the unit off at the main disconnect panel and contact technical support.

Figure 24

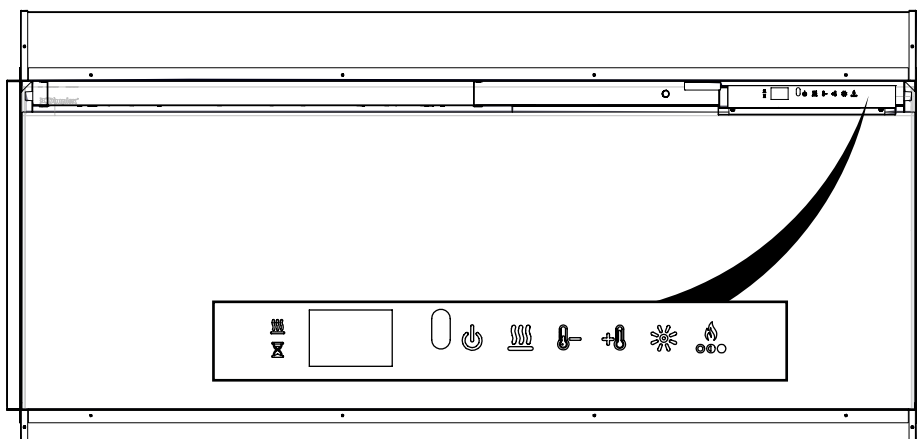
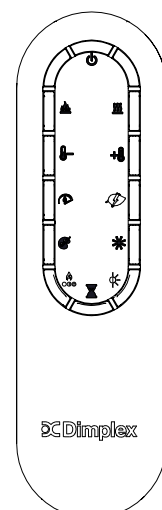






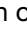
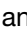
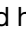
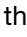
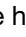





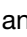
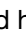











Figure 25





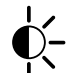
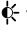


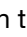
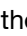
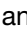



# Operation

	Standby	Press  to turn on the unit or to put it in standby mode. When the unit is turned back on, it will retain the previously used settings.
	Flame Effect	Press  to turn the flame effect, media, and overhead lights on or off.
	Heat	Press  to turn the heat on or off. The fireplace will beep once and the  icon will remain on the display when activated. The fireplace can be operated in heat only mode by turning off the flame and color effects.
	Heat Disable	Press and hold  and  at the same time for three seconds to disable or enable the heat function. This action must be performed on the <b>hidden touch controls</b> . When the heat is disabled and either the  ,  , or  is pressed, --- will appear on the display.
	Temperature Increase	Press  to increase the temperature setting.
	Temperature Decrease	Press  to decrease the temperature setting.
	Temperature Display (°C ↔ °F)	The temperature can be set from 7° C to 30° C (45° F to 86° F). When the temperature setting is adjusted, the set temperature will flash for 2 seconds, then the ambient room temperature will be displayed briefly.
	Temperature Display (°C ↔ °F)	Press and hold  and  at the same time for three seconds. This action must be performed on the <b>hidden touch controls</b> .
	Flame Speed	Press  repeatedly to cycle through the five different flame speeds.
	Heat Mode	Press  repeatedly to cycle through the four different heater modes: <b>Normal:</b> The element will automatically adjust itself to achieve and maintain the set temperature. <b>Heat Boost:</b> The element will work at maximum power for 20 minutes, then revert to normal heater mode. <b>Eco:</b> The element will work at reduced power to save energy. <b>Fan:</b> The element will turn off and only the fan will run.
	Moods	Press  repeatedly to cycle through the eight different Moods, which are different combinations of overhead and media bed lighting.  1 - White 2 - Blue 3 - Violet 4 - Red 5 - Green 6 - Prism — media and overhead lights cycle through colors 7 - Kaleidoscope— media and overhead lights cycle through colors at different rates 8 - Midnight mode — media and overhead lights are off  Press and hold  to turn the overhead lights on or off.
	Custom Color	Freeze the media and overhead lights to a custom color. When in Prism or Kaleidoscope modes (see Moods), press  while the desired color is displayed to freeze the cycle on that color. Press  again to resume the color cycle.

# Operation

---

	Brightness	Press  repeatedly to cycle through the brightness and flicker modes. Solid <i>H</i> - High Brightness Solid <i>L</i> - Low Brightness Cycle <i>H</i> - High Brightness with flickering media and overhead lights Cycle <i>L</i> - Low Brightness with flickering media and overhead lights
	Flame Theme	Press  repeatedly to cycle through the seven different flame themes: 1 - Base with orange and blue accents 2 - Base with orange accents 3 - Base with blue accents 4 - Blue 5 - Orange 6 - Base 7 - Orange and blue
	Ambient Light Sensor	Press  to turn the ambient light sensor on or off. The ambient light sensor will automatically adjust the brightness of the fireplace lights based on the ambient light in the room.
	Timer	Press  repeatedly until the desired number of hours of the timer is displayed. When this function is active, the fireplace will turn off after a set amount of time. The timer can be set from 30 minutes (display will show .5) to 8 hours in intervals of 30 minutes. To turn the timer off, press  repeatedly until  appears on the display. While the timer is active, press the timer button to see the time remaining.
	Factory Reset	Press and hold  and  at the same time for three seconds to reset all the settings to factory default. This action will also disconnect the unit from the Wi-Fi network if connected. This action must be performed on the <b>hidden touch controls</b> .

## NEW! Flame Connect App



Download the **Flame Connect app** on your mobile device and create an account. With the app you can add an extra level of personalization, such as saving customized mood settings.

- Connect your electric fireplaces
- Add as many fireplaces as you like to the Flame Connect App.
- Personalize your product
- Change modes and settings on your fireplace to suit your mood.
- Secure your device
- Take ownership of a product to prevent unauthorized access.

For additional information, visit [www.dimplex.com/fcapp](http://www.dimplex.com/fcapp)



# Maintenance

---

## Remote Control Battery Replacement

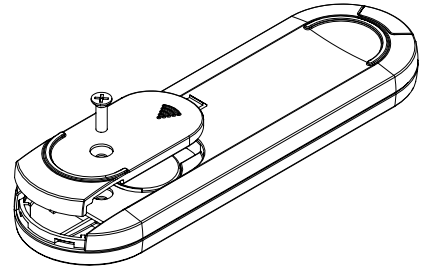
To replace the battery:

1. Remove battery cover of the remote control using a Philips screwdriver.
2. Correctly install one 3 Volt (CR2032 [longer life] or CR2025) battery in the battery holder with the + side facing up.
3. Secure the battery cover using the previously removed screw.



Battery must be recycled or disposed of properly. Check with your Local Authority or Retailer for recycling advice in your area.

Figure 26



**⚠ WARNING:** Disconnect power and allow heater to cool before attempting any maintenance or cleaning to reduce the risk of fire, electric shock or injury to persons.

## Partially Reflective Glass Cleaning

The partially reflective glass is cleaned in the factory during the assembly operation. During shipment, installation, handling, etc., the partially reflective glass may collect dust particles; these can be removed by dusting lightly with a clean dry cloth.

To remove fingerprints or other marks, the partially reflective glass can be cleaned with a damp cloth. The partially reflective glass should be completely dried with a lint-free cloth to prevent water spots. To prevent scratching, do not use abrasive cleaners.

## Fireplace Surface Cleaning

Use only a damp cloth to clean painted surfaces of the fireplace. Do not use abrasive cleaners.




The fireplace should not be operated with an accumulation of dust or dirt on or in the unit, as this can cause a build-up of heat and eventual damage. For this reason the heater must be inspected regularly, depending upon conditions and at a minimum yearly intervals.

## Servicing

Except for installation and cleaning described in this manual, an authorized service representative should perform any other servicing.

# Troubleshooting

For more troubleshooting, consult the Service Manual.

Problem	Display	Cause	Solution
Fireplace does not turn on with the manual touch controls	N/A	No incoming power	Ensure unit is receiving power Check main disconnect panel Ensure wall switch is on (if applicable)
Fireplace does not turn on with the remote control	N/A	The batteries in the remote control are dead or installed incorrectly	Replace remote control battery Ensure battery is installed with + facing up.
Heater does not turn on	---	Heater is disabled	Press and hold  and  at the same time on the hidden touch controls for 3 seconds to disable or enable the heat function.
	H--	Heater has been permanently disabled	If installation with heat is desired, reinstall jumper on main board if available or purchase new main board.
Heater is on, but there is no heat		Normal operation — There is a 30-second delay before heater starts	No action required.
Circuit breaker trips or fuse blows when unit is turned on	N/A	Improper circuit current rating	Plug unit into a dedicated minimum 13 amp circuit.
Error Code is displayed	Err 1	Temperature cut-out is activated	Unplug power cord and wait 5 minutes before turning the unit back on. If error persists, see Service Manual.
	Err 12	Ambient temperature is above 45° C (113° F)	No action required.
	Err 13	Ambient temperature is below 5° C (41° F)	No action required.
	Err 1b	NTC not detected	See service manual.
	Err 23	Relay board not detected	See service manual.

## RECYCLING



At the end of the electrical products useful life it should not be disposed of with household waste. Please recycle where facilities exist. Check with your Local Authority or retailer for recycling advice in your area.

© Glen Dimplex Flame Europe. All rights reserved. Material contained in this publication may not be reproduced in whole or in part, without prior permission in writing of Glen Dimplex Flame Europe.

# Installations- und Bedienungsanleitung



EN

DE

FR

NL

## WICHTIGE SICHERHEITSINFORMATIONEN


Lesen Sie zuerst diese Bedienungsanleitung, bevor Sie versuchen, diesen Heizstrahler zu montieren oder zu bedienen. Halten Sie sich immer an die Warnhinweise und Sicherheitsanweisungen, die in dieser Bedienungsanleitung stehen und auf dem Gerät abgebildet sind, um Personen- oder Sachschaden zu verhindern.

Dieses Produkt entspricht allen geforderten Normen in Sachen Produktsicherheit, elektromagnetische Verträglichkeit und Umweltschutz. RoHs- und Ökodesign-Richtlinien.



# Inhaltsverzeichnis

---

<b>Herzlich willkommen</b> .....	<b>3</b>
<b> WICHTIGE HINWEISE</b> .....	<b>4</b>
<b>Technische Daten</b> .....	<b>6</b>
Nennleistung .....	6
Technische Informationen .....	6
Produktgröße .....	6
<b>Lieferumfang</b> .....	<b>7</b>
<b>Installation</b> .....	<b>9</b>
Platzierung .....	9
Feuerraum für die Installation vorbereiten .....	10
Installationsanleitung .....	11
Elektroinstallation .....	14
Heizungshardware von der Stromversorgung trennen .....	15
Installation des Spiegelglases .....	16
Brennstoffbett .....	16
Installation des Seitenglases .....	17
Installation des Frontglases .....	17
<b>Betrieb</b> .....	<b>18</b>
Allgemeiner Betrieb .....	18
Verborgene Touch-Bedienung .....	18
Ferngesteuerter Betrieb .....	18
App .....	18
Zurücksetzen des Schalters für die Temperaturabschaltung .....	18
<b>Wartung</b> .....	<b>21</b>
Austausch der Batterien der Fernbedienung .....	21
Reinigung .....	21
Servicearbeiten .....	21
<b>Fehlerbehebung</b> .....	<b>22</b>



# Herzlich willkommen

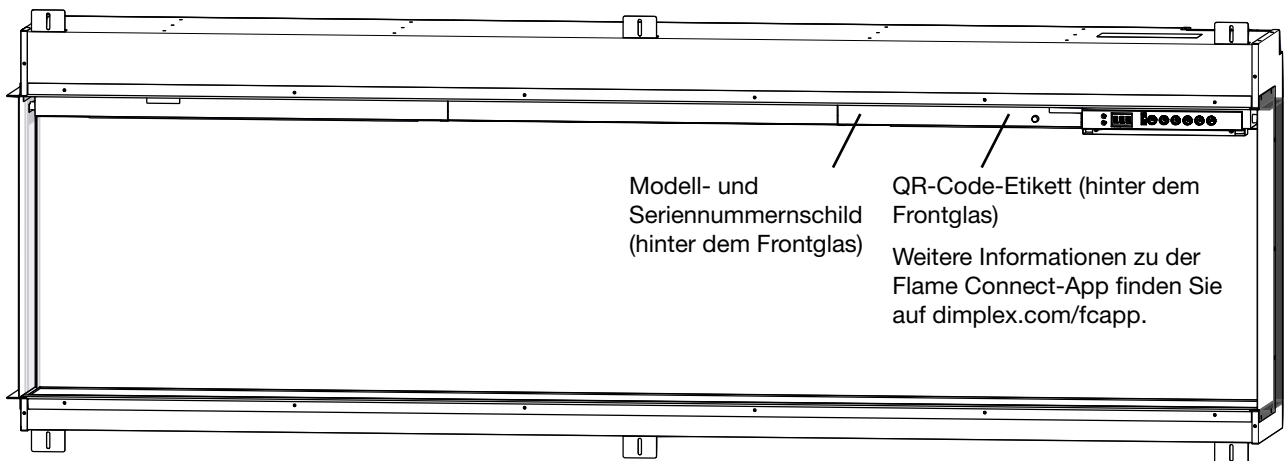
---

## MODELL- UND SERIENNUMMER

Bitte merken Sie sich Ihr Modell und die Seriennummer, damit Sie sie zur Hand haben, falls Sie sie später einmal benötigen sollten.

MODELL \_\_\_\_\_

Seriennummer \_\_\_\_\_



# BEWAHREN SIE DIESE HINWEISE AUF

# WICHTIGE HINWEISE

## **ACHTUNG: DIE NICHTBEACHTUNG DIESER BETRIEBSANLEITUNG KANN ZU VERLETZUNGEN UND/ODER SCHÄDEN FÜHREN UND DIE GARANTIE VERFALLEN LASSEN**

### **Wichtige Sicherheitshinweise**

Bei der Verwendung von elektrischen Geräten sollten immer die folgenden grundlegenden Vorsichtsmaßnahmen beachtet werden, um die Gefahr von Bränden, Stromschlägen und Verletzungen zu verringern:

- Wenn das Gerät beschädigt ist, wenden Sie sich bitte vor Installation und Inbetriebnahme an den Lieferanten.
- Nicht im Freien verwenden.
- Benutzen Sie das Gerät nicht in unmittelbarer Nähe einer Badewanne, einer Dusche oder eines Schwimmbeckens.
- Platzieren Sie das Gerät nicht direkt unter einer fest installierten Steck- oder Anschlussdose.

**Warnhinweis:** Dieses Heizgerät darf nur für den Gebrauch im Haushalt in dem Land genutzt werden, wo es bei einem zugelassenen Einzelhändler gekauft wurde.

Benutzen Sie das Heizgerät nicht, wenn es fallen gelassen wurde.

Benutzen Sie das Heizgerät nicht, wenn es sichtbare Anzeichen einer Beschädigung aufweist.

Benutzen Sie das Heizgerät auf einer horizontalen, stabilen Oberfläche oder befestigen Sie es gegebenenfalls an der Wand.


Kinder unter 3 Jahren sollten nicht unbeaufsichtigt in die Nähe des Heizgeräts gelassen werden. Kinder im Alter von 3 bis unter 8 Jahren dürfen das Gerät nur dann ein- und ausschalten, wenn es in der vorgesehenen normalen Betriebsposition aufgestellt oder installiert ist und sie beaufsichtigt werden oder Anweisungen zur sicheren Benutzung des Geräts erhalten haben und die damit verbundenen Gefahren verstehen. Kinder im Alter von 3 bis 8 Jahren dürfen das Gerät nicht anschließen, regulieren und reinigen oder eine Wartung durchführen.

**VORSICHT: Einige Teile dieses Produkts können sehr heiß sein und Verbrennungen verursachen. Besondere Vorsicht ist geboten, wenn Kinder und gefährdete Personen anwesend sind.**

Dieses Gerät kann von Kindern ab 8 Jahren sowie von Personen mit eingeschränkten physischen, sensorischen oder mentalen Fähigkeiten oder Mangel an Erfahrung und Wissen benutzt werden, wenn sie beaufsichtigt werden oder Anweisungen zur sicheren Benutzung des Geräts erhalten haben und die damit verbundenen Gefahren verstehen. Kinder dürfen nicht mit dem Gerät spielen. Die Reinigung und Wartung durch den Benutzer darf nicht von unbeaufsichtigten Kindern durchgeführt werden.

**Warnhinweis:** Verwenden Sie dieses Heizgerät nicht in kleinen Räumen, wenn sich dort Personen befinden, die den Raum nicht aus eigener Kraft verlassen können, außer es ist eine permanente Aufsicht gewährleistet.

**Warnhinweis:** Um eine Überhitzung zu vermeiden, darf das Gerät nicht abgedeckt werden. Legen Sie keine Stoffe oder Kleidungsstücke auf das Gerät, und behindern Sie nicht die Luftzirkulation um das Gerät, z. B. durch Vorhänge oder Möbel, da dies zu Überhitzung und Brandgefahr führen kann.

Das Gerät ist mit dem Symbol DO NOT COVER (Nicht abdecken) gekennzeichnet. 

**Warnhinweis:** Um die Brandgefahr zu reduzieren, sollten Textilien, Vorhänge und sonstige brennbare Materialien mindestens 1 Meter vom Luftaustritt entfernt sein.

**Warnhinweis:** Um eine Gefährdung durch versehentliches Zurücksetzen des Wärmeschutzschalters zu vermeiden, darf dieses Gerät nicht über ein externes Schaltgerät, wie z. B. einen Timer, versorgt oder an einen Stromkreis angeschlossen werden, der regelmäßig vom Stromversorger ein- und ausgeschaltet wird.

# ⚠ WICHTIGE HINWEISE

## WARNHINWEIS: BEWAHREN SIE BATTERIEN AUSSERHALB DER REICHWEITE VON KINDERN AUF

- Verschlucken kann aufgrund von Verätzungen und einer möglichen Perforation der Speiseröhre innerhalb von nur zwei Stunden zu ernststen Verletzungen oder zum Tod führen.
- Bitte suchen Sie unverzüglich einen Arzt auf, wenn Sie vermuten, dass Batterien verschluckt oder in eine Körperöffnung gesteckt wurden.
- Überprüfen Sie die Geräte und vergewissern Sie sich, dass das Batteriefach ordnungsgemäß verschlossen ist, d. h. dass die Schraube festgezogen oder ein sonstiger mechanischer Verschluss geschlossen ist. Verwenden Sie das Gerät nicht, wenn das Batteriefach nicht sicher verschlossen ist.
- Entsorgen Sie benutzte Knopfbatterien unverzüglich und sicher. Leere Batterien können immer noch Gefahren bergen.

## VORSICHT: Keine offensichtlichen Symptome

Leider ist es nicht sofort offensichtlich, wenn eine Knopfbatterie in der Speiseröhre eines Kindes feststeckt.

Es gibt keine speziellen, hiermit assoziierten Symptome. Es kann sein, dass das Kind:

- stark hustet, würgt oder sabbert;
- scheinbar an einer Magenverstimmung oder einem Virusinfekt leidet;
- sich krank fühlt;
- auf seinen Hals oder den Magen zeigt;
- Bauch-, Brust- oder Halsschmerzen hat;
- müde oder lethargisch ist;
- ruhiger oder anhänglicher als sonst oder auf andere Art und Weise nicht „es selbst“ ist;
- keinen oder nur geringen Appetit hat; und keine feste Nahrung zu sich nehmen möchte oder kann.

Diese Art von Symptomen variieren oder wechseln sich ab, wobei der Schmerz zunächst zu- und anschließend wieder abnimmt.

Ein spezielles Symptom für das Verschlucken einer Knopfbatterie ist das Erbrechen von frischem (hellrotem) Blut. Wenn das Kind frisches Blut erbricht, holen Sie unverzüglich ärztliche Hilfe ein.

- Aufgrund des Fehlens eindeutiger Symptome ist es wichtig, stets aufmerksam darauf zu achten, wo sich leere oder Ersatz-Knopfbatterien sowie Produkte, die Knopfbatterien enthalten, im Haushalt befinden.



## Elektrische Anforderungen

**⚠️ WARNHINWEIS:** Die Bauausführung und die Verdrahtung müssen den örtlichen Bauvorschriften und sonstigen geltenden Bestimmungen entsprechen, um das Risiko eines Brandes, elektrischen Schocks oder Personenschadens zu verringern.

**⚠️ WARNHINWEIS:** Lassen Sie die Arbeiten immer von einem geprüften Elektriker ausführen, um das Risiko eines Brandes, elektrischen Schocks oder Personenschadens zu verringern.

**! HINWEIS:** Es ist ein geeigneter, ordnungsgemäß mit 13 Ampere abgesicherter Stromkreis erforderlich, der für die entsprechende Netzspannung (230–240 V) ausgelegt ist. Für den Fall, dass der Stecker des Produkts nach der Installation nicht erreichbar ist, sollte ein Isolationsschalter eingebaut werden.

## Technische Informationen

Bemessungsdaten: 230–240 V~50 Hz

**Wärmeleistung**                                      230 V                                      240 V

Nennwärmeleistung	$P_{\text{Nom}}$	1,8	-	1,9	kW
-------------------	------------------	-----	---	-----	----

Minimale Wärmeleistung	$P_{\text{min}}$	0,9	-	0,9	kW
------------------------	------------------	-----	---	-----	----

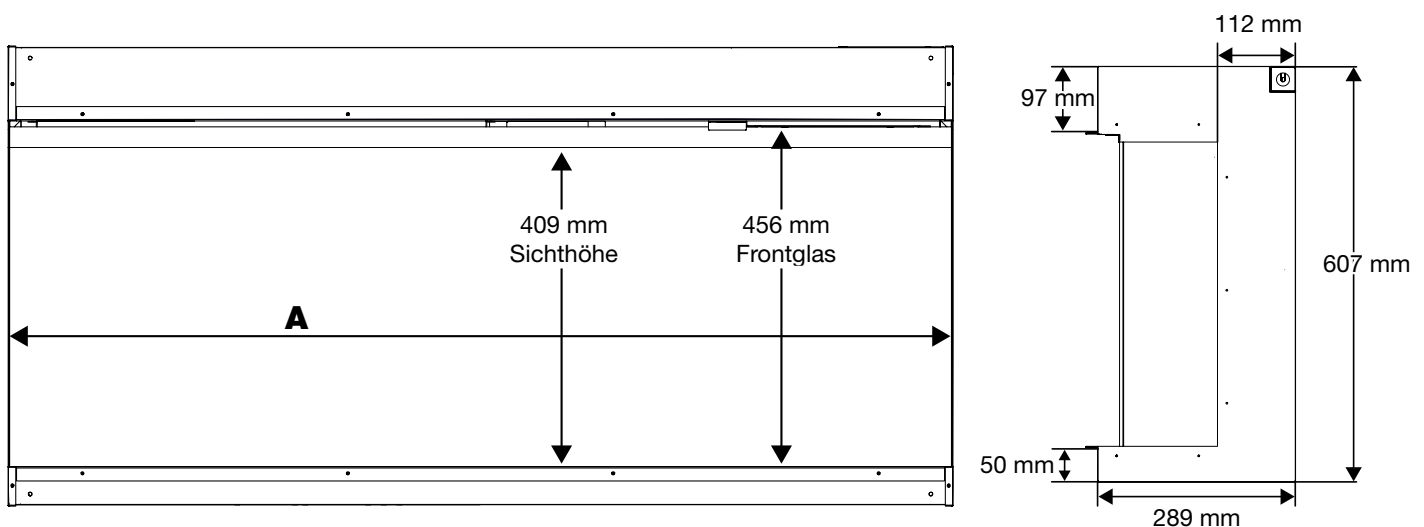
Maximale kontinuierliche Wärmeleistung	$P_{\text{max,c}}$	1,8	-	1,9	kW
--	--------------------	-----	---	-----	----

### Nebenelektrizitätsverbrauch

Im Standby-Modus	$e_{\text{SB}}$	0,5	-	0,5	W
------------------	-----------------	-----	---	-----	---

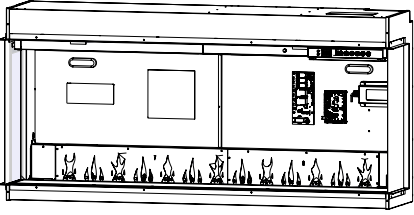
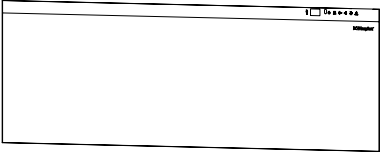
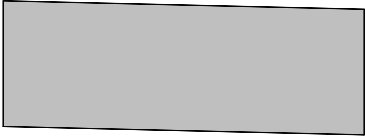


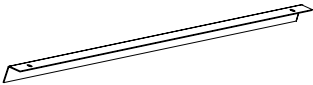
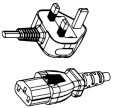
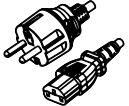


Mit elektronischer Raumtemperaturregelung

## Produktgröße



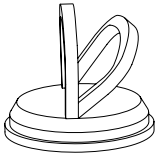

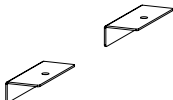
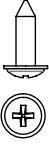

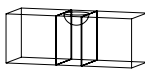
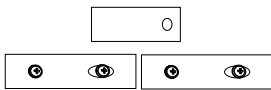


MODELL	A
BXLF1200	1246 mm
BXLF1500	1565 mm
BXLF1800	1883 mm

# Lieferumfang

Abbildung	Beschreibung	Menge		
		BXLF1200	BXLF1500	BXLF1800
	Feuerraum	1	1	1
	Frontglas	1	1	1
	Spiegelglas	1	1	1
	Seitenglas	2	2	2
	Geschlossene Seitenverkleidung	2	2	2
	Spiegelglashalterung (Längen können variieren)	1	2	2
	Britisches Netzkabel	1	1	1
	EU-Netzkabel	1	1	1
	Holzzscheite	7	9	11
	Brennstoff-Glasssteine	4 kg	5 kg	6 kg

# Lieferumfang

Abbildung	Beschreibung	BXLF1200	BXLF1500	BXLF1800
	Fernbedienung	1	1	1
	Bedienungs- und Installationsanleitung	1	1	1
 <i>Werfen Sie den Saugnapf nach der Installation nicht weg. Bewahren Sie ihn an einen sicheren Ort auf, denn Sie können ihn bei Wartungs- oder Servicearbeiten am Gerät verwenden.</i>	Saugnapf	1	1	1
<b>Hardware-Set</b>				
	Montagehalterungen	4	4	6
	Frontglashalterungen	1	2	2
	25,4 mm Holzschrauben	4	4	6
	Schwarze Schrauben	11	14	16
	Wasserwaage	1	1	1
	Verbindungs-Set (2 Halterungen, 1 Klammer und 4 Schrauben)	1	1	1

## Platzierung

! **BITTE BEACHTEN SIE:** Wir empfehlen, dass der Boden des Geräts 13 cm bis 1 m über dem Fußboden montiert wird, um optimale Sicht auf die Flamme zu gewährleisten.

⚠ **WARNHINWEIS:** Die Oberseite des Kamins muss in einem Abstand von mindestens 61 cm von der Decke installiert werden. Der Kamin muss in einem Abstand von mindestens 13 cm vom Boden installiert werden.

### Wi-Fi

Stellen Sie bei Installationen, bei denen die Verwendung der Flame Connect-App gewünscht ist, bitte sicher, dass sich der Kamin in Reichweite eines Wi-Fi-Netzwerks befindet.

### Installationsempfehlungen für überhängende Gegenstände

Für überhängende temperaturempfindliche Gegenstände wie ein Fernsehgerät, ein Kaminsims oder Bilder befolgen Sie bitte stets die Empfehlungen des jeweiligen Herstellers für die Installation über einem Heizgerät.

! **HINWEIS:** Im normalen Heizmodus werden Oberflächen, die 177,8 mm über dem Kamin liegen, 40 °C nicht überschreiten, solange die Installationsverfahren befolgt werden und der Ein- und Auslass des Heizgeräts nicht blockiert ist.

## Feuerraum für die Installation vorbereiten

! **HINWEIS:** Beachten Sie bei der Installation mehrerer Geräte die Anweisungen, die dem Verbindungssatz beiliegen.

1. Entfernen Sie die Verpackungshalterungen, indem Sie die Schrauben an jeder Halterung entfernen. (Abbildung 1) Diese Halterungen und Schrauben können entsorgt werden.
2. Installieren Sie die gewünschte Seitenverkleidung an jeder Seite des Feuerraums. Befestigen Sie die Seitenwand mit 7 schwarzen Schrauben.
  - Wählen Sie für offene Seiten bitte die offene Seitenverkleidung. Die offene Seitenverkleidung ist am Kamin vorinstalliert. (Abbildung 2)
  - Bei geschlossenen Seiten die geschlossene Seitenverkleidung installieren. (Abbildung 3) Installieren Sie in dieser Konfiguration keine seitlichen Glaseinsätze.
  - Entfernen Sie bei Installationen mit mehreren Geräten die Seitenwände an den angrenzenden Seiten, indem Sie die 9 Schrauben entfernen. (Abbildung 4) Installieren Sie an angrenzenden Seiten keine Verkleidung oder Seitenglas.
3. Installieren Sie das Netzkabel gemäß den Anweisungen im Abschnitt *Elektroinstallation* (S. 14).
4. Wenn eine Installation mit dauerhafter Deaktivierung der Wärmefunktion gewünscht wird, befolgen Sie die Anweisungen zum Deaktivieren des Heizgeräts im Abschnitt *Deaktivierung der Wärmefunktion* (S. 15).
5. Den Feuerraum vorsichtig auf die Rückseite legen und die Halterungen oben und unten am Feuerraum mit den mitgelieferten schwarzen Schrauben installieren. (Abbildung 5)

! **HINWEIS:** Es gibt 4 Montagehalterungen für BXLF1200- und BXLF1500-Geräten (Abbildung 6) und 6 Montagehalterungen für BXLF1800-Geräten. (Abbildung 7)

! **HINWEIS:** Die Halterungen sind mit Schlitzern versehen, um die Umrahmung anzupassen. Stellen Sie sicher, dass alle Halterungen ausgerichtet sind.

Abbildung 1

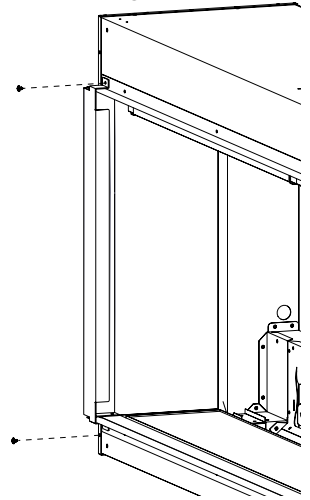


Abbildung 2

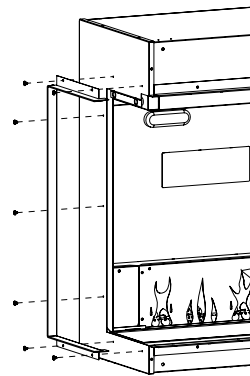


Abbildung 3

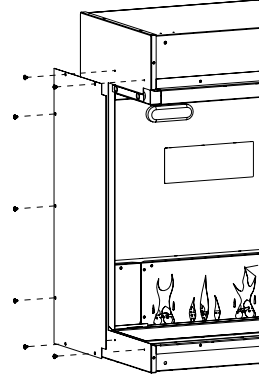


Abbildung 4

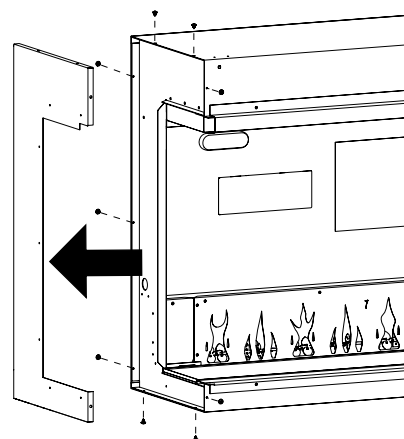


Abbildung 5

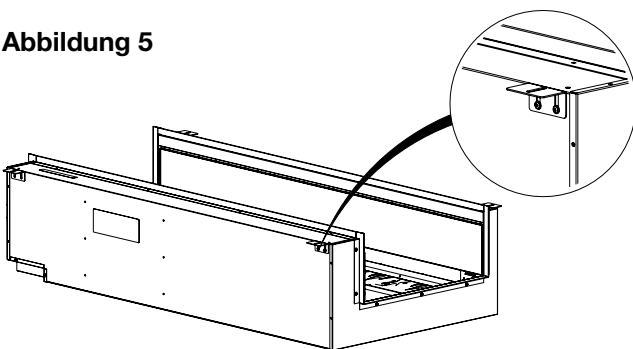


Abbildung 6

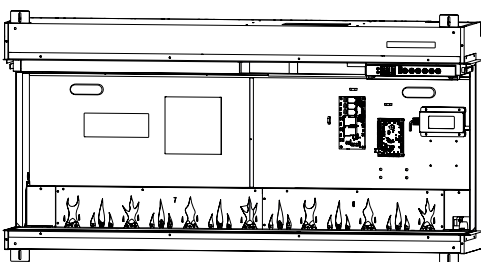
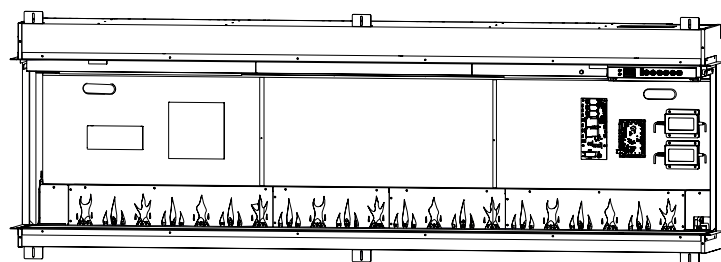


Abbildung 7





## Installationsanleitung

! **HINWEIS:** Es wird empfohlen, dass die Installation von zwei Personen ausgeführt wird.

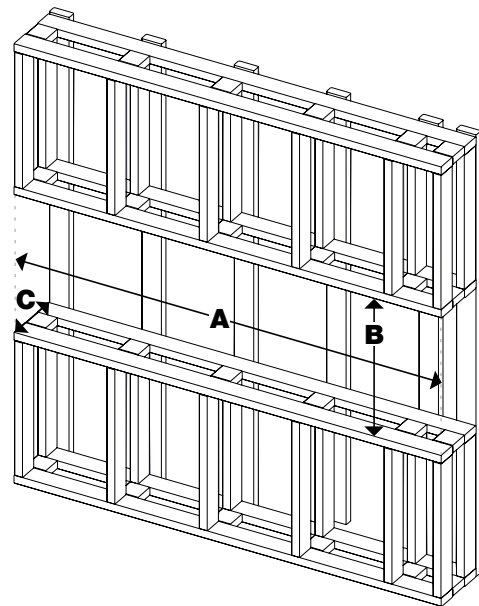
1. Bereiten Sie eine Wand mit einer umrahmten Öffnung vor. Halten Sie sich dabei an die Maße in der untenstehenden Tabelle. Die Abmessungen sind für Front-, Eck- und Einbauinstallation gleich.

! **HINWEIS:** Diese Größen der Umrahmung beruhen von der Installation mit 13 mm Trockenbau.

**Maße der Umrahmung**

MODELL	Breite	Höhe	Tiefe (min.)
	<b>A</b>	<b>B</b>	<b>C</b>
BXLF1200	1257 mm	616 mm	295 mm
BXLF1500	1581 mm		
BXLF1800	1895 mm		
Länge nach Maß für verbundene Geräte	Breite der verwendeten Geräte hinzufügen		

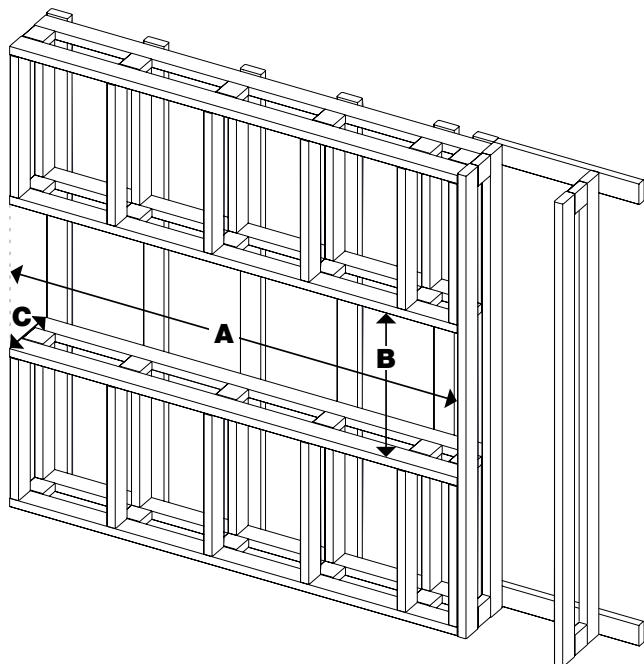
**Abbildung 8**  
Einbauinstallation



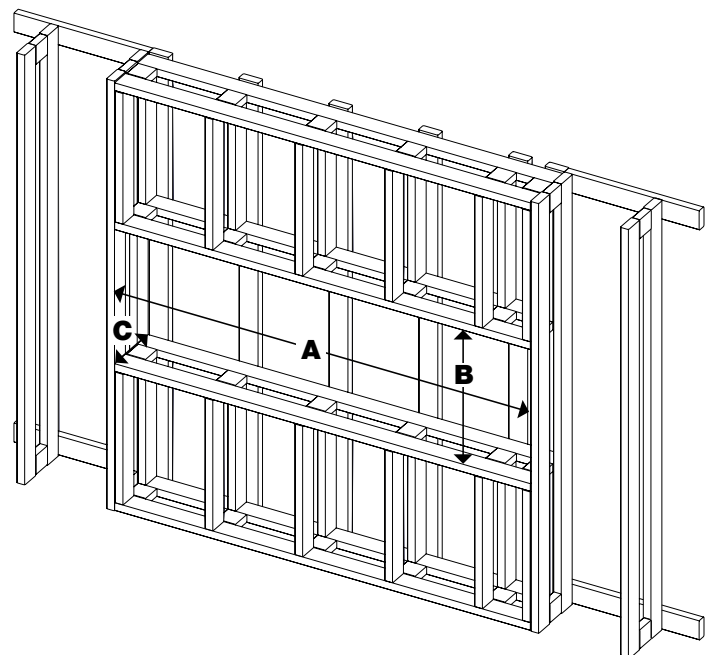
⚠ **VORSICHT:** Dieser Kamin ist **NICHT** tragend. Stellen Sie sicher, dass die Öffnung für den Kamin so umrahmt ist, dass das Gewicht des Baumaterials keinen Druck auf die Oberseite des Kamins ausübt.

! **HINWEIS:** Die Verdrahtung befindet sich an der oberen rechten Ecke hinten am Feuerraum. Die Umrahmung muss so angebracht werden, dass das Netzkabel in diese Richtung ausliegt.

**Abbildung 9**  
Installation in der linken/rechten Ecke



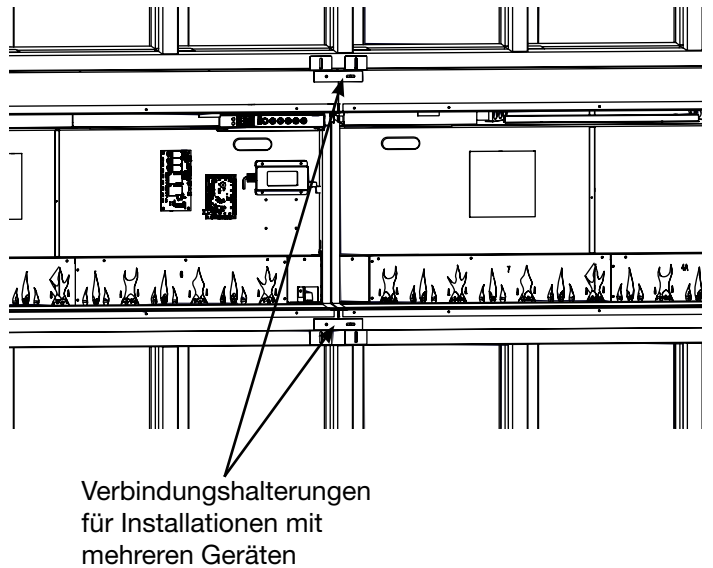
**Abbildung 10**  
Frontinstallation



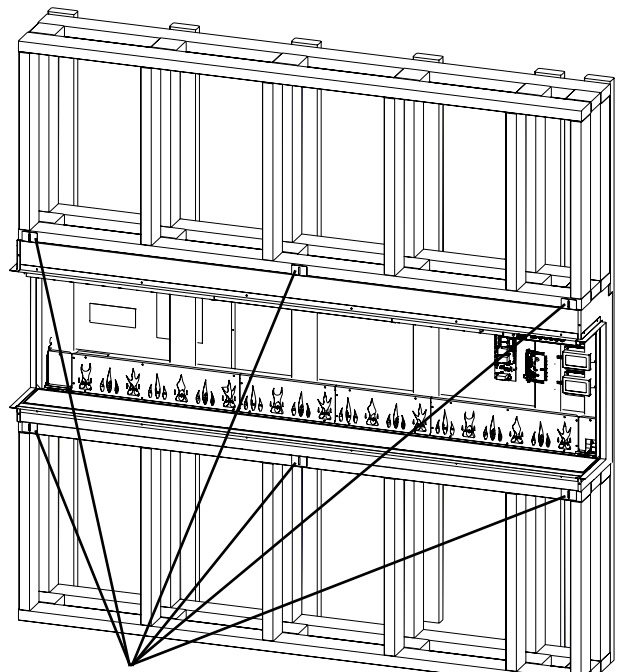
# Installation

1. Heben Sie den Feuerraum mithilfe der Griffe an der Rückseite des Kamins in die Rahmenöffnung.
  - ! **HINWEIS:** Stellen Sie sicher, dass die Anweisungen zum *Vorbereiten des Feuerraums zur Installation* (S. 10) vor der Installation abgeschlossen wurden.
2. Stecken Sie das vom Kamin kommende Netzkabel ein.
3. Den Feuerraum anheben Das mitgelieferte Hardware-Kit enthält eine Wasserwaage.
4. Bei Installationen mit mehreren Geräten installieren Sie die Verbindungshalterungen zwischen benachbarten Kaminen. (**Abbildung 11**)
5. Die Halterungen an der Umrahmung oben und unten mithilfe der mitgelieferten Holzschrauben sichern. (**Abbildung 12**) Die Montagehalterungen verhindern, dass sich der Feuerraum im Rahmen verschiebt.
6. Bringen Sie Ausbaumaterialien bis zur Verkleidung an. (**Abbildung 13 und 14**)
  - ! **HINWEIS:** Nicht in das Gehäuse des Feuerraums bohren.
7. Schließen Sie die Installation mit den Ausbaumaterialien Ihrer Wahl ab.
8. Schließen Sie die Installation anhand der Anweisungen in den folgenden Abschnitten ab: *Installation des Spiegelglases* (S. 16), *Anordnung des Brennstoffbetts* (S. 16), *Installation des Frontglases* (S. 17) und *Installation des Seitenglases* (S. 18).

**Abbildung 11**



**Abbildung 12**



# Installation

---

Abbildung 13

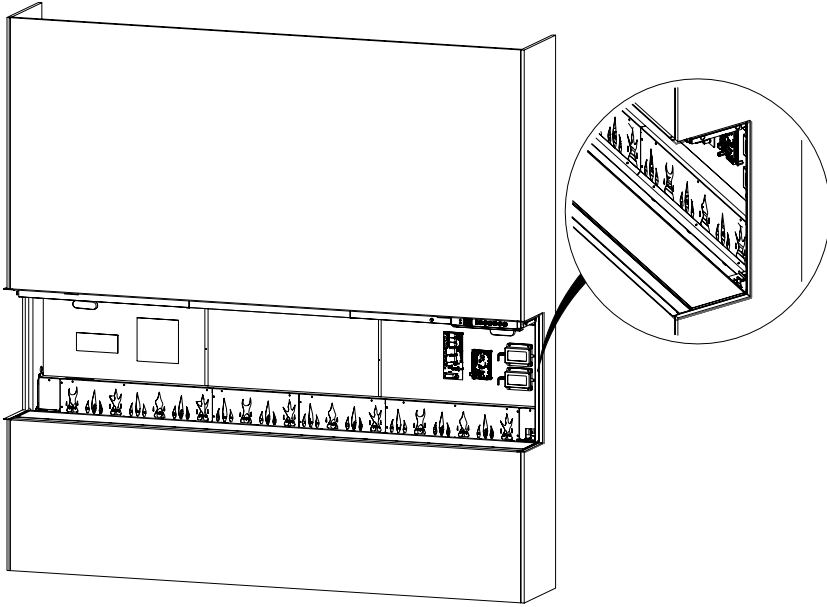
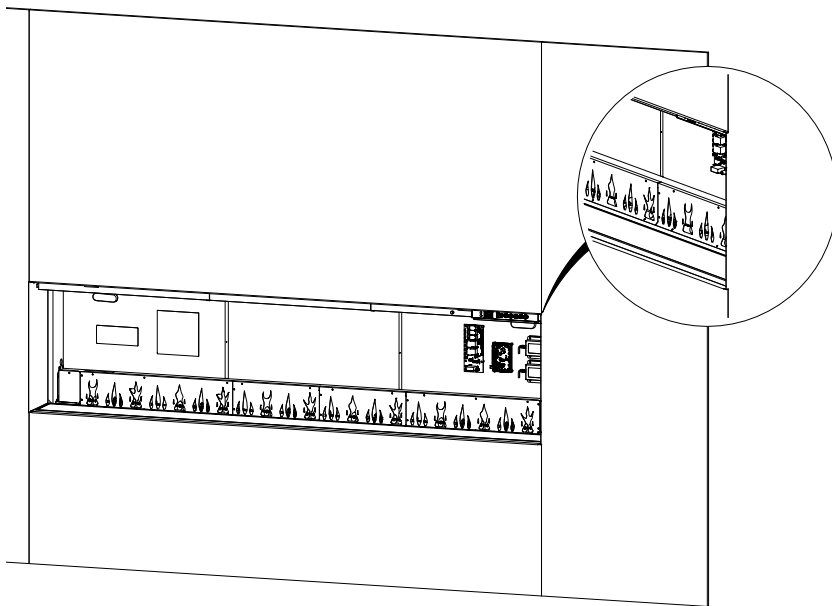


Abbildung 14



## Elektroinstallation

### **⚠️ WARNHINWEIS:**

Die Installation des elektrischen Kamins muss den geltenden örtlichen und/oder nationalen Elektrorichtlinien und den Geräteanforderungen entsprechen.

Verwenden Sie das entsprechende Kabel, um die örtlichen und nationalen Elektrorichtlinien für den Nennstromverbrauch einzuhalten.

**⚠️ VORSICHT:** Es ist ein geeigneter, ordnungsgemäß mit 13 Ampere abgesicherter Stromkreis erforderlich, der für die entsprechende Netzspannung (230–240 V) ausgelegt ist. Für den Fall, dass der Stecker des Produkts nach der Installation nicht erreichbar ist, sollte ein Isolationsschalter eingebaut werden.

### Installation des Netzkabels

1. Wählen Sie den passenden Kabelsatz (die EU- oder die britische Option). (**Abbildung 15**)
2. Installieren Sie das Netzkabel, indem Sie es in die Steckdose am Kamin stecken. (**Abbildung 16**)

**⚠️ WARNUNG:** Dieses Heizgerät ist nicht für die Verwendung mit einem Verlängerungskabel vorgesehen. Stecken Sie das Kabel direkt in eine geeignete geerdete Steckdose.

Abbildung 15

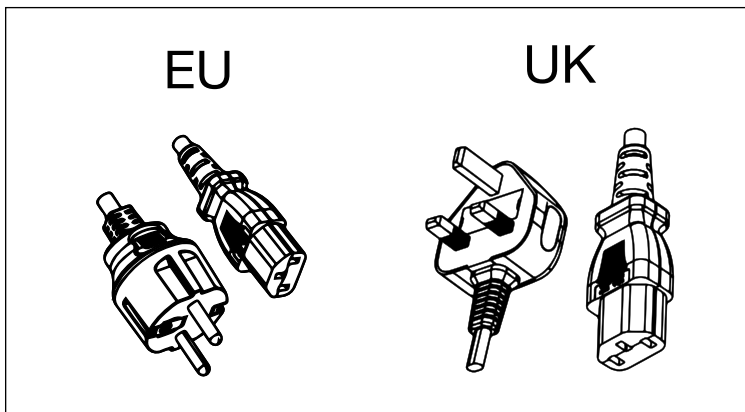
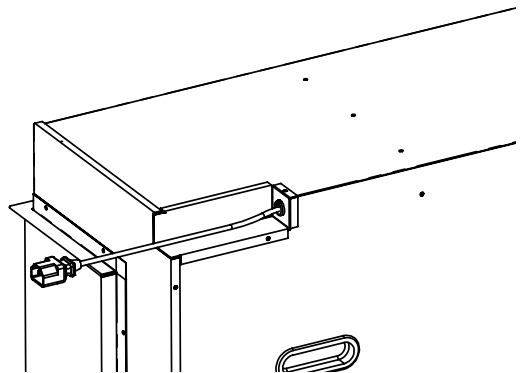


Abbildung 16



## Heizungshardware von der Stromversorgung trennen

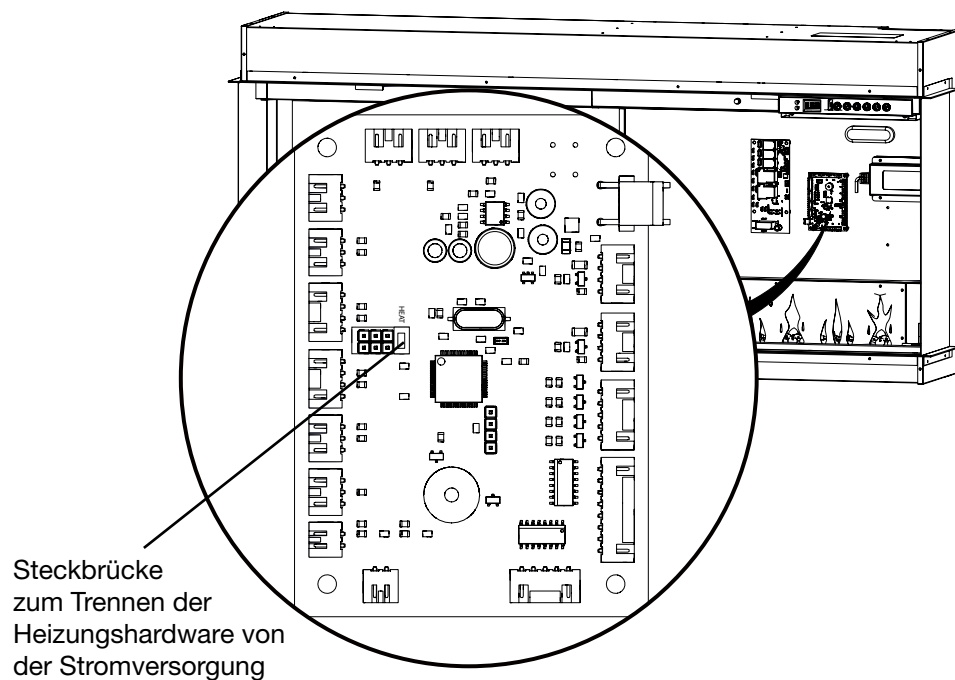
Das Kaminheizgerät kann dauerhaft deaktiviert werden, indem die elektronische Steckbrücke auf der Steuerplatine entfernt wird.

**! HINWEIS:** Durch das Trennen der Heizungshardware werden Heizgerät und Lüfter dauerhaft deaktiviert. Befolgen Sie diese Anweisungen nur, wenn eine Installation ohne Wärmefunktion gewünscht ist. Über die verborgenen Touch-Bedienelemente kann das Heizgerät vorübergehend ausgeschaltet werden. Anweisungen finden Sie unter „Deaktivierung der Wärmefunktion“ im Abschnitt *Betrieb* (Seite 19).

**So trennen Sie das Heizgerät und den Lüfter dauerhaft:**

1. Suchen Sie die Steuerplatine. Die Position der Steckbrücke für die Heizungshardware ist mit „HEAT“ gekennzeichnet. (Abbildung 17)
2. Ziehen Sie die Steckbrücke zum Trennen der Heizungshardware von der Stromversorgung heraus.

Abbildung 17



## Installation des Spiegelglases

1. Befestigen Sie den mitgelieferten Saugnapf an der reflektierenden Seite des Spiegelglases. Achten Sie darauf, dass der Saugnapf sicher befestigt ist.
2. Heben Sie das Spiegelglas mithilfe des Saugnapfes an und setzen Sie es schräg in den unteren Schlitz ein.
3. Kippen Sie das Spiegelglas in eine vertikale Position. (Abbildung 18)
4. Richten Sie die Löcher an der Innenseite des Geräts mit den Löchern in der Halterung aus und befestigen Sie die Spiegelglashalterungen mit den mitgelieferten schwarzen Schrauben. (Abbildung 19)

! **HINWEIS:** Verwenden Sie eine Taschenlampe, um die Schraubenlöcher im Kamin zu lokalisieren.

⚠ **VORSICHT:** Stellen Sie sicher, dass das Spiegelglas nicht nach vorne fällt, während die Montagehalterungen des Spiegelglases installiert werden.

5. Entfernen Sie den Saugnapf und alle Fingerabdrücke oder Schmutz auf dem Glas mit einem nicht-scheuernden Glasreiniger.

! **HINWEIS:** Werfen Sie den Saugnapf nicht weg! Bewahren Sie ihn an einem sicheren Ort auf. Er wird möglicherweise bei Wartungs- oder Servicearbeiten an diesem Kamin benötigt.

Abbildung 18

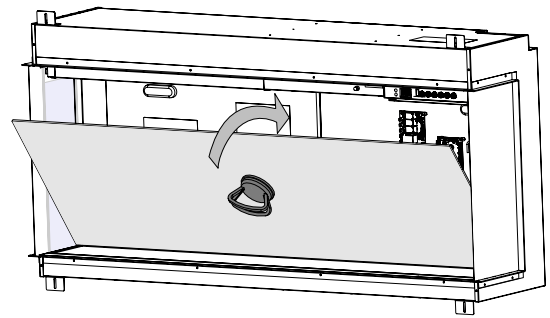
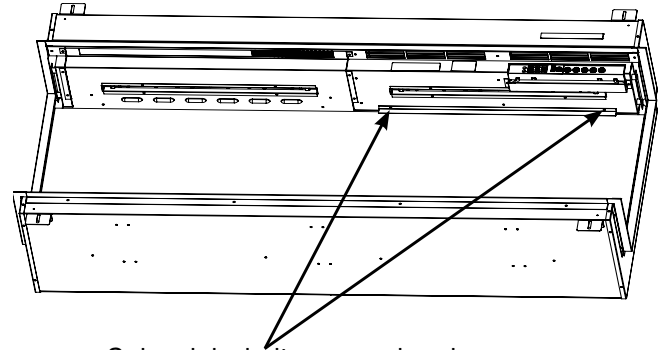


Abbildung 19



Spiegelglashalterungsschrauben

! **HINWEIS:** BXL1500 und BXL1800 verfügen über jeweils zwei Halterungen. Eine Halterung befindet sich oben rechts a der Innenseite des Geräts und die andere links.

## Brennstoffanordnung

Um optimale Ergebnisse bei der Verwendung der mitgelieferten Brennstoffe zu erzielen, ordnen Sie sie wie folgt an:

! **HINWEIS:** Entfernen Sie die Kunststoffolie vom Brennstoffbett, bevor Sie die Brennstoffe hinzufügen.

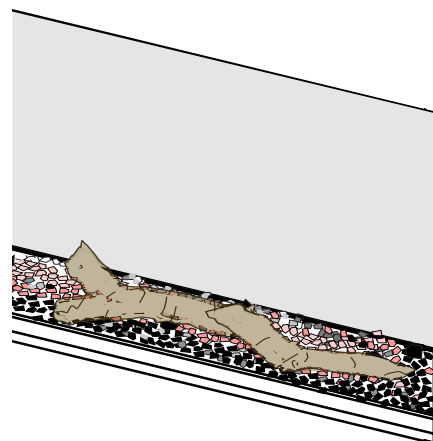
1. Mischen Sie die Brennstoff-Glassteine.
2. Verteilen Sie die Glassteine gleichmäßig, um das Brennstoffbett vollständig zu bedecken.

! **HINWEIS:** Für ein realistischeres Erscheinungsbild ordnen Sie die schwarzen und grauen Glassteine vorne und an den Seiten des Brennstoffbetts an.

3. Legen Sie die Holzscheite auf die Glassteine.

Es ist möglich, kundenspezifische Brennstoffornamente zur Dekoration des Feuerraums zu verwenden. Diese kundenspezifischen Brennstoffe müssen die passende Größe haben, damit sie nicht das Glas verkratzen oder das Brennstoffbett verbiegen. Außerdem dürfen sie keinen Sand oder Flüssigkeiten enthalten, da dies die Sicherheit des Feuerraums gefährden könnte.

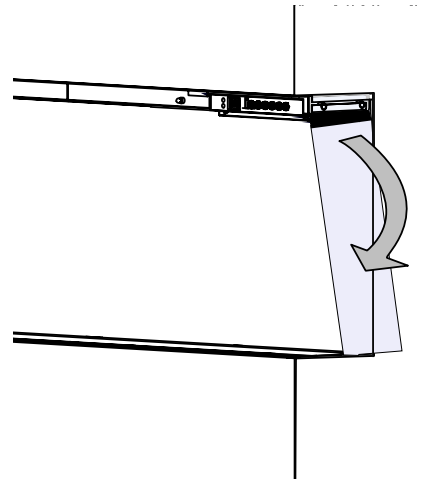
Abbildung 20



## Installation des Seitenglases

1. Stellen Sie sicher, dass die matte Seite der oberen schwarzen Verkleidung nach innen zeigt.
2. Führen Sie die Oberseite der Glasscheibe in den oberen Schlitz ein.
3. Vorsichtig nach innen neigen, bis sie in vertikaler Position ist. Sobald sie eingeführt ist, fällt sie in die richtige Position. (Abbildung 21)
4. Bei Einbauinstallationen wiederholen Sie den Vorgang auf der anderen Seite.

Abbildung 21



## Installation des Frontglases

**! HINWEIS:** Warten Sie mit dem Einschalten des Geräts, nachdem das Frontglas installiert wurde. Wenn die Stromversorgung bereits vor der Installation des Frontglases angeschlossen ist, schalten Sie das Gerät ein und aus, um die verborgenen Touch-Bedienelemente zu aktivieren.

1. **HINWEIS:** Vergewissern Sie sich zu Beginn, dass sich kein Schmutz und keine Fingerabdrücke auf dem Spiegelglas, der Innenseite des Seitenglases oder an der Innenseite des Frontglases befinden.
2. Befestigen Sie den mitgelieferten Saugnapf an der Außenseite des Frontglases. Achten Sie darauf, dass der Saugnapf sicher befestigt ist.
3. Heben Sie das Glas mithilfe des Saugnapfes an und setzen Sie es schräg in den unteren Schlitz ein.
4. Kippen Sie das Glas in eine vertikale Position. (Abbildung 22)
5. Befestigen Sie es mit den mitgelieferten Frontglashalterungen und den mitgelieferten schwarzen Schrauben. (Abbildung 23)

Abbildung 22

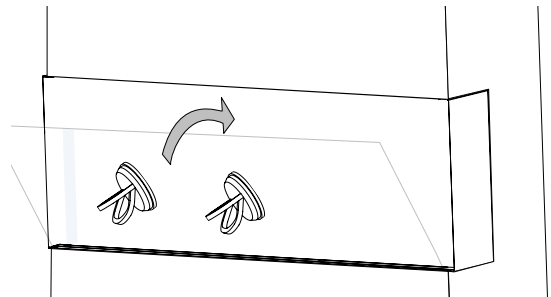
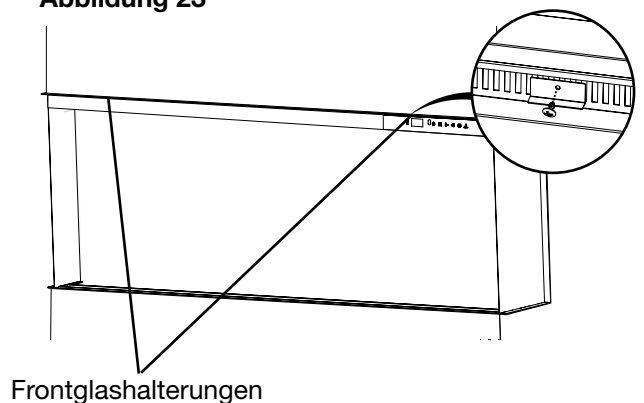


Abbildung 23



**! HINWEIS:** Für den BXLF1200 gibt es eine Frontglashalterung und für die BXLF1500- und BXLF1800-Geräte jeweils zwei Frontglashalterungen.

**⚠ VORSICHT:** Stellen Sie sicher, dass das Frontglas nicht nach vorne fällt, während die Montagehalterungen des Glases installiert werden.

6. Entfernen Sie den Saugnapf und alle Fingerabdrücke oder Schmutz auf dem Glas mit einem nicht-scheuernden Glasreiniger.

**! HINWEIS:** Werfen Sie den Saugnapf nicht weg! Bewahren Sie ihn an einem sicheren Ort auf. Er wird möglicherweise bei Wartungs- oder Servicearbeiten an diesem Kamin benötigt.

## Allgemeiner Betrieb

**⚠ WARNHINWEIS:** Dieser elektrische Kamin muss vor der Benutzung ordnungsgemäß installiert worden sein.

Dieser elektrische Kamin nutzt ComfortSaver™-Technologie, die die Lüftergeschwindigkeit und die Wattzahl des Heizgeräts automatisch anpasst, damit die Raumanforderungen auf Grundlage der Thermostateinstellungen sicher und genau erfüllt werden. Das Heizgerät arbeitet so, dass, sobald der Raum den Sollwert erreicht hat, der Lüfter und das Heizgerät kontinuierlich auf niedriger Stufe laufen, um die gewünschte Raumtemperatur aufrechtzuerhalten. Wenn die Temperatur im Raum erheblich ansteigt, schaltet sich das Heizgerät aus und in regelmäßigen Abständen wieder ein, um die Luft um das Gerät herum zirkulieren zu lassen, bis die Raumtemperatur sinkt und das Heizgerät erneut eingeschaltet werden muss.

**! HINWEIS:** Das Gerät ist auch nach dem Abschalten zunächst noch heiß. Nach dem Abschalten des Heizgeräts folgt eine zweiminütige Kühlungsphase, bevor der Lüfter komplett ausgeschaltet wird.

**! HINWEIS:** Nach einem Stromausfall bleiben die zuvor verwendeten Einstellungen erhalten.

## Verborgene Touch-Bedienung

Die verborgene Touch-Bedienung befindet sich oben rechts am Kamin. (Abbildung 24)

## Ferngesteuerter Betrieb

Der Kamin wird mit einer IR-Multifunktionsfernbedienung geliefert. (Abbildung 25)

**! HINWEIS:** Für einen ordnungsgemäßen Betrieb muss die Fernbedienung auf die Frontseite des Geräts | gerichtet werden.

## App

Der Kamin kann mit der Flame Connect-App für Mobilgeräte gesteuert werden. Aktuelle Informationen zur App finden Sie unter [www.dimplex.com/fcapp](http://www.dimplex.com/fcapp)

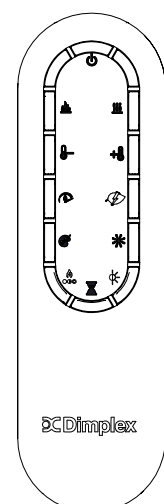
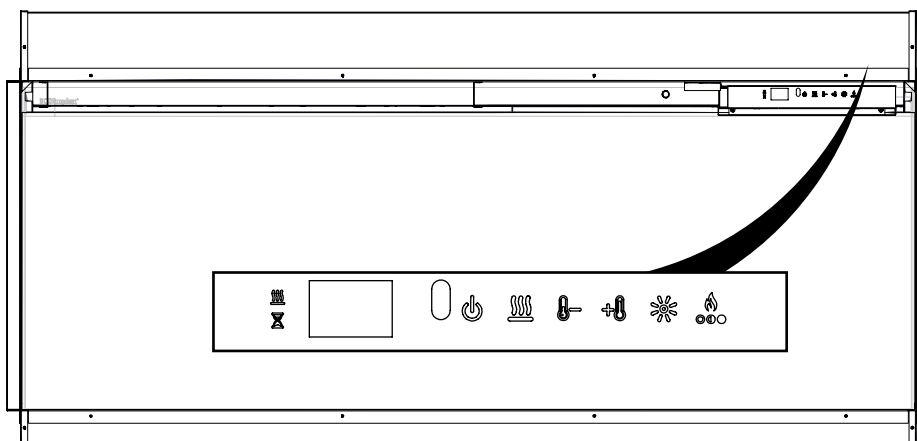
## Zurücksetzen des Schalters für die Temperaturabschaltung

Sollte das Heizgerät überhitzen, wird das Gerät mit der manuellen thermischen Abschaltung ausgeschaltet und kann ohne ein Zurücksetzen nicht wieder in Betrieb genommen werden. Sie können das Gerät zurücksetzen, indem Sie es am Haupt-Trennpanel ausschalten und 30 Minuten warten, bevor Sie es wieder einschalten.

**⚠ HINWEIS:** Wenn Sie das Heizgerät kontinuierlich zurücksetzen müssen, schalten Sie es am Haupt-Trennpanel aus und kontaktieren Sie den technischen Support.




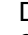

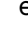
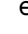
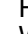
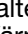


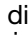

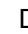

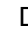
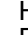
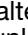

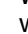
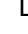

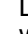
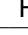
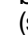
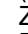
Abbildung 25



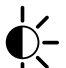

Abbildung 24





# Betrieb

	Standby	Drücken Sie  , um das Gerät einzuschalten oder es in den Standby-Modus zu setzen. Wenn das Gerät wieder angeschaltet ist, werden die vorher genutzten Einstellungen beibehalten.
	Flammeneffekt	Drücken Sie  , um den Flammeneffekt, den Brennstoff und das Oberlicht ein- oder auszuschalten.
	Wärme	Drücken Sie  , um die Wärme an oder auszuschalten. Der Kamin piept einmal und das  -Symbol bleibt bei Aktivierung auf dem Display sichtbar. Der Kamin kann im reinen Heizmodus betrieben werden, indem die Flamme und die Farbeffekte ausgeschaltet werden.
	Deaktivierung der Wärmefunktion	Halten Sie  und  gleichzeitig für drei Sekunden gedrückt, um die Wärmefunktion zu deaktivieren oder zu aktivieren. Die entsprechenden Funktionstasten finden Sie auf der <b>verborgenen Touch-Bedienung</b> . Wenn die Wärmefunktion deaktiviert und entweder  ,  oder  gedrückt ist, erscheint --- auf dem Display.
	Temperatur erhöhen	Drücken Sie  , um die eingestellte Temperatur zu erhöhen.
	Temperatur senken	Drücken Sie  , um die eingestellte Temperatur zu senken.
	Temperaturanzeige (°C ↔ °F)	Die Temperatur kann auf minimal 7 °C bis maximal 30 °C (45 °F bis 86 °F) eingestellt werden. Wenn die Temperatureinstellung angepasst wird, blinkt die eingestellte Temperatur zwei Sekunden lang, dann wird kurz die Raumtemperatur angezeigt.
	Temperaturanzeige (°C ↔ °F)	Halten Sie  und  gleichzeitig für drei Sekunden gedrückt. Die entsprechenden Funktionstasten finden Sie auf der <b>verborgenen Touch-Bedienung</b> .
	Flammengeschwindigkeit	Wiederholt  drücken, um durch die fünf verschiedenen Flammenthemen zu wechseln.
	Wärme-Modus	Drücken Sie wiederholt  , um durch die vier verschiedenen Heizmodi zu wechseln: <b>Normal:</b> Das Heizelement passt sich automatisch an, um die eingestellte Temperatur zu erreichen und beizubehalten. <b>Wärmeschub:</b> Das Heizelement arbeitet 20 Minuten lang mit maximaler Leistung und kehrt dann in den normalen Heizmodus zurück. <b>Eco:</b> Das Heizelement wird mit reduzierter Leistung betrieben, um Energie zu sparen. <b>Lüfter:</b> Das Heizelement wird ausgeschaltet und nur der Lüfter läuft.
	Stimmungen	Drücken Sie wiederholt  , um durch die acht verschiedenen Stimmungen zu wechseln, bei denen es sich um unterschiedliche Kombinationen von Oberlicht und Brennstoffbettbeleuchtung handelt. 1 – Weiß 2 – Blau 3 – Violett 4 – Rot 5 – Grün 6 – Prisma – Brennstoff und Oberlicht wechseln die Farbe 7 – Kaleidoskop – Brennstoff und Oberlicht wechseln in unterschiedlichen Intervallen die Farbe. 8 – Mitternachtsmodus – Brennstoffbettbeleuchtung und Oberlicht sind ausgeschaltet Halten Sie  gedrückt, um das Oberlicht ein- oder auszuschalten.
	Benutzerdefinierte Farbe	Stellen Sie Brennstoffbeleuchtung und Oberlicht dauerhaft in einer benutzerdefinierten Farbe ein. Drücken Sie im Prisma- oder Kaleidoskop-Modus (siehe Stimmungen)  , während die gewünschte Farbe angezeigt wird, um den Zyklus für diese Farbe dauerhaft einzustellen. Drücken Sie erneut  , um den Farbzyklus fortzusetzen.

	Helligkeit	Drücken Sie wiederholt ☼, um zwischen den Helligkeits- und Flackermodi zu wechseln. Durchgehend H – Hohe Helligkeit Durchgehend L – Niedrige Helligkeit Zyklus H – Hohe Helligkeit mit flackernder Brennstoffbettbeleuchtung und Oberlichtern Zyklus L – Niedrige Helligkeit mit flackernder Brennstoffbettbeleuchtung und Oberlichtern
	Flammenthema	Wiederholt 🔥 drücken, um durch die sieben verschiedenen Flammenthemen zu wechseln: 1 – Basismodus mit orangen und blauen Akzenten 2 – Basismodus mit orangen Akzenten 3 – Basismodus mit blauen Akzenten 4 – Blau 5 – Orange 6 – Basis 7 – Orange und Blau
	Umgebungslichtsensor	Drücken Sie ☼, um den Umgebungslichtsensor ein- oder auszuschalten. Der Umgebungslichtsensor passt die Helligkeit der Kaminbeleuchtung automatisch an das Umgebungslicht im Raum an.
	Timer	Drücken Sie wiederholt ⌚, bis die gewünschte Stundenzahl des Timers angezeigt wird. Ist diese Funktion aktiv, schaltet sich der Kamin nach einer festgelegten Zeitspanne aus. Der Timer kann in Intervallen von 30 Minuten auf einen Zeitraum von 30 Minuten (Display zeigt .5 an) bis 8 Stunden eingestellt werden. Zum Abschalten des Timers, drücken Sie wiederholt ⌚, bis ⏸ auf dem Display erscheint. Während der Timer aktiviert ist, können Sie die verbleibende Zeit anzeigen lassen, indem Sie auf den Timer-Button drücken.
	Zurücksetzen auf Werkseinstellungen	Halten Sie 🔑 und 🔥 gleichzeitig drei Sekunden lang gedrückt, um alle Einstellungen auf die Werkseinstellungen zurückzusetzen. Durch diesen Vorgang wird das Gerät auch vom Wi-Fi-Netzwerk getrennt, sofern eine Verbindung besteht. Dieser Vorgang muss auf den <b>verborgenen Touch-Bedienelementen</b> ausgeführt werden.

## NEU! Flame Connect-App



Laden Sie die **Flame Connect-App** auf Ihr Mobilgerät herunter und erstellen Sie ein Konto. Mit der App können Sie eine zusätzliche Personalisierungsebene hinzufügen, z. B. das Speichern kundenspezifischer Stimmungseinstellungen.

- Verbinden Sie Ihre elektrischen Kamine
- Fügen Sie der Flame Connect-App so viele Kamine hinzu, wie Sie möchten.
- Personalisieren Sie Ihr Produkt
- Ändern Sie die Modi und Einstellungen Ihres Kamins je nach Stimmung.
- Sichern Sie Ihr Gerät
- Übernehmen Sie die Kontrolle über ein Produkt, um unbefugten Zugriff zu verhindern.

Weitere Informationen finden Sie unter [www.dimplex.com/fcapp](http://www.dimplex.com/fcapp)



## Austausch der Batterien der Fernbedienung

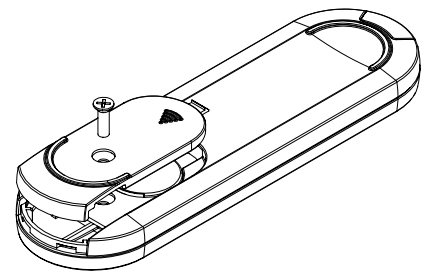
Zum Entfernen der Batterie:

1. Entfernen Sie die Batterieabdeckung der Fernbedienung mit einem Philips-Schraubenzieher.
2. Setzen Sie eine 3-Volt-Batterie (CR2032 [längere Lebensdauer] oder CR2025) in das Batteriefach mit der +-Seite nach oben ein.
3. Verschließen Sie die Batterieabdeckung mit der zuvor entfernten Schraube.



Die Batterie sollte ordnungsgemäß recycelt oder entsorgt werden. Erkundigen Sie sich bei einer örtlichen Behörde oder einem Einzelhändler nach den Recyclingmöglichkeiten in Ihrer Region.

Abbildung 26



**⚠ WARNHINWEIS:** Trennen Sie das Heizgerät vom Strom und lassen Sie es abkühlen, bevor Sie mit den Wartungs- oder Reinigungsarbeiten beginnen, um das Risiko eines Brandes, elektrischen Schlags oder Personenschadens zu reduzieren.

## Reinigung des teilweise reflektierenden Glases

Das teilweise reflektierende Glas wird während der Montagetätigkeit in der Fabrik gereinigt. Beim Versand, bei der Installation und Handhabung, usw. kann es sein, dass sich Staubpartikel auf dem teilweise reflektierenden Glas ansammeln. Diese können einfach mit einem sauberen, trockenen Tuch entfernt werden.

Um Fingerabdrücke oder andere Flecken zu entfernen, kann das teilweise reflektierende Glas mit einem feuchten Tuch gereinigt werden. Das teilweise reflektierende Glas sollte mit einem fusselfreien Tuch vollständig getrocknet werden, um Wasserflecken zu verhindern. Benutzen Sie keine Scheuermittel, um Kratzer zu verhindern.

## Reinigung der Oberfläche des Kamins

Reinigen Sie die lackierten Oberflächen des Kamins mit einem feuchten Tuch. Verwenden Sie keine Scheuermittel.


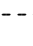

Der Kamin sollte nicht betrieben werden, wenn sich auf oder im Gerät Staub oder Schmutz angesammelt haben, da es dadurch zu einer Überhitzung und damit zu einer Beschädigung kommen kann. Aus diesem Grund muss das Heizgerät regelmäßig entsprechend den Bedingungen überprüft werden, und zwar mindestens einmal pro Jahr.

## Servicearbeiten

Alle sonstigen Serviceleistungen außer der in dieser Anleitung beschriebenen Installation und Reinigung sollten von einem autorisierten Servicepartner ausgeführt werden.

# Fehlerbehebung

Mehr Einzelheiten zur Fehlerbehebung finden Sie im Servicehandbuch.

Problem	Display	Ursache	Lösung
Der Kamin lässt sich nicht mit der manuellen Touch-Bedienung einschalten	Nicht zutreffend	Keine Stromzufuhr	Stellen Sie sicher, dass das Gerät mit Strom versorgt wird Überprüfen Sie die Haupttrenntafel Stellen Sie sicher, dass der Wandschalter eingeschaltet ist (falls vorhanden)
Der Kamin lässt sich nicht mit der Fernbedienung einschalten	Nicht zutreffend	Die Batterien in der Fernbedienung sind leer oder nicht korrekt eingelegt	Ersetzen Sie die Batterie der Fernbedienung Vergewissern Sie sich, dass die mit dem + nach oben eingesetzt ist.
Das Heizgerät lässt sich nicht einschalten	---	Das Heizgerät ist deaktiviert	Halten Sie  und  auf der verborgenen Touch-Bedienung gleichzeitig für 3 Sekunden gedrückt, um die Wärmefunktion zu deaktivieren oder zu aktivieren.
	H--	Das Heizgerät wurde dauerhaft deaktiviert	Wenn eine Installation mit Wärmefunktion gewünscht ist, installieren Sie die Steckbrücke (falls vorhanden) auf der Hauptplatine oder kaufen Sie eine neue Hauptplatine.
Das Heizgerät ist eingeschaltet, aber erzeugt keine Wärme		Normaler Betrieb: Das Heizgerät nimmt den Betrieb mit einer Verzögerung von 30 Sekunden auf	Keine Maßnahme erforderlich.
Der Schutzschalter wird ausgelöst oder die Sicherung springt heraus, wenn das Gerät eingeschaltet ist	Nicht zutreffend	Unzureichende Kurzschlussfestigkeit.	Schließen Sie das Gerät an einen eigenen Stromkreis mit mindestens 13 Ampere an.
Der Fehlercode wird angezeigt	Err 1	Temperaturabschaltung ist aktiviert	Ziehen Sie das Netzkabel ab und warten Sie fünf Minuten, bevor Sie das Gerät wieder einschalten. Sollte der Fehler weiterhin bestehen, ziehen Sie bitte das Servicehandbuch zurate.
	Err 12	Die Umgebungstemperatur liegt über 45 °C (113 °F)	Keine Maßnahme erforderlich.
	Err 13	Die Umgebungstemperatur liegt unter 5 °C (41 °F)	Keine Maßnahme erforderlich.
	Err 1b	NTC nicht erkannt	Siehe Servicehandbuch.
	Err 23	Relaisplatine nicht erkannt	Siehe Servicehandbuch.

## RECYCLING



Am Ende der Nutzungsdauer des elektrischen Geräts darf es nicht im Haushaltsabfall entsorgt werden. Recyceln Sie es bitte dort, wo Einrichtungen vorhanden sind. Erkundigen Sie sich bei einer örtlichen Behörde oder einem Einzelhändler nach den Recyclingmöglichkeiten in Ihrer Region.

© Glen Dimplex Flame Europe. Alle Rechte vorbehalten. Das in dieser Publikation enthaltene Material darf ohne vorherige schriftliche Genehmigung von Glen Dimplex Flame Europe weder ganz noch auszugsweise vervielfältigt werden.

# Guide d'installation et d'utilisation



EN

DE

FR

NL

**INFORMATIONS DE SÉCURITÉ IMPORTANTES :**

Lisez d'abord ce manuel avant d'essayer d'installer ou d'utiliser ce foyer électrique. Respectez toujours les avertissements et les consignes de sécurité figurant dans ce manuel et affichés sur l'appareil afin de prévenir les blessures corporelles ou les dommages matériels.

Ce produit est conforme aux normes requises en matière de sécurité des produits, de compatibilité électromagnétique et d'environnement, ainsi qu'aux directives LVD, EMC, RoHS et EcoDesign.



# Table des matières

---

<b>Bienvenue</b> .....	<b>3</b>
<b> INSTRUCTIONS IMPORTANTES</b> .....	<b>4</b>
<b>Spécifications techniques</b> .....	<b>6</b>
Puissance électrique .....	6
Informations techniques .....	6
Dimensions du produit .....	6
<b>Contenu de la boîte</b> .....	<b>7</b>
<b>Installation</b> .....	<b>9</b>
Positionnement .....	9
Préparation de la chambre de combustion pour l'installation .....	10
Instructions d'installation .....	11
Installation électrique .....	14
Déconnexion du matériel de chauffage .....	15
Installation du verre miroir .....	16
Disposition des éléments décoratifs .....	16
Installation du panneau vitré latéral .....	17
Installation du panneau vitré avant .....	17
<b>Fonctionnement</b> .....	<b>18</b>
Fonctionnement général .....	18
Commandes tactiles cachées .....	18
Fonctionnement à distance .....	18
Application .....	18
Réinitialiser le commutateur d'extinction de la température .....	18
<b>Entretien</b> .....	<b>21</b>
Remplacement des piles de la télécommande .....	21
Nettoyage .....	21
Réparation .....	21
<b>Dépannage</b> .....	<b>22</b>

# Bienvenue

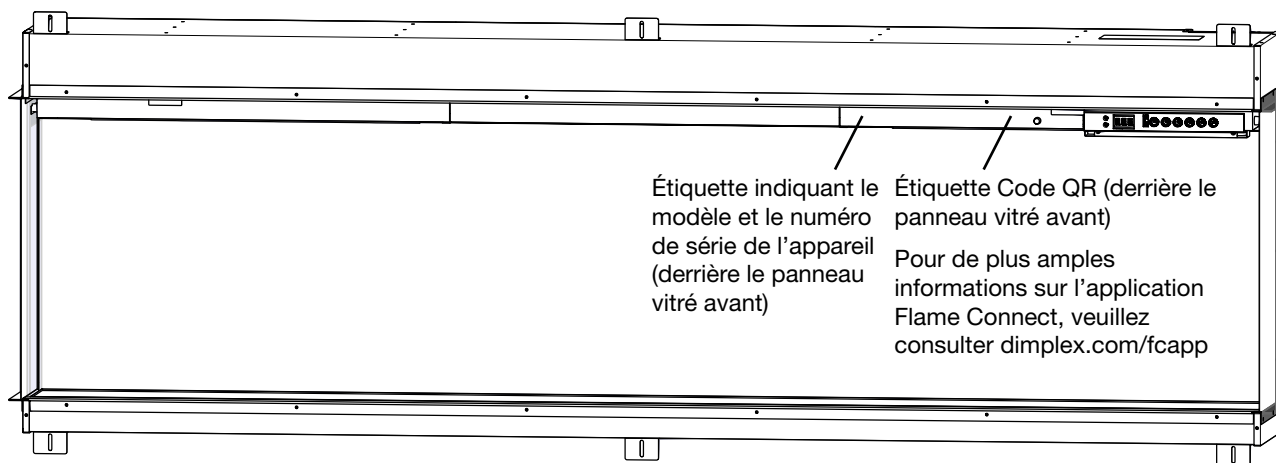
---

## NUMÉRO DE MODÈLE ET DE SÉRIE

Veillez noter le modèle et le numéro de série de votre produit pour référence future.

Modèle \_\_\_\_\_

Numéro de série \_\_\_\_\_



# CONSERVER CES INSTRUCTIONS

# INSTRUCTIONS IMPORTANTES

## **ATTENTION : LE NON-RESPECT DE CES INSTRUCTIONS PEUT PROVOQUER DES BLESSURES ET/OU DES DOMMAGES ET ANNULER VOTRE GARANTIE**

### **Consignes de sécurité importantes**

Lors de l'utilisation d'appareils électriques, certaines précautions doivent toujours être prises afin de réduire le risque d'incendie, d'électrocution et de blessure, notamment :

- Si l'appareil est endommagé, contactez le fournisseur avant toute installation et utilisation du produit.
- Ne l'utilisez pas à l'extérieur.
- Ne l'utilisez pas à proximité d'une baignoire, d'une douche ou d'une piscine.
- N'installez pas cet appareil juste en dessous d'une prise de courant murale ou d'un boîtier de raccordement.

**Avertissement** : cet appareil de chauffage d'ambiance ne doit pas être utilisé à d'autres fins que des fins domestiques normales dans le pays où il a été acheté auprès d'un détaillant commercial reconnu.

N'utilisez pas cet appareil de chauffage d'ambiance s'il est tombé par terre.

N'utilisez pas cet appareil de chauffage d'ambiance s'il semble endommagé.

Utilisez cet appareil de chauffage d'ambiance sur une surface horizontale et stable ou fixez-le au mur, selon le cas.


Les enfants de moins de 3 ans qui ne font pas l'objet d'une surveillance continue doivent être tenus à l'écart de l'appareil. Les enfants âgés de 3 à moins de 8 ans peuvent uniquement mettre en marche ou éteindre l'appareil à condition qu'il ait été placé ou installé dans sa position de fonctionnement normale prévue et qu'ils fassent l'objet d'une supervision adéquate ou aient reçu des instructions appropriées concernant une utilisation sécurisée de l'appareil, et qu'ils en comprennent les dangers. Les enfants âgés de 3 à moins de 8 ans ne doivent pas brancher l'appareil, en régler la température, le nettoyer ou effectuer son entretien.

**ATTENTION : certaines parties de ce produit peuvent être très chaudes et occasionner des brûlures. Une attention particulière doit être portée aux enfants et aux personnes vulnérables présentes dans la pièce.**

Cet appareil peut être utilisé par des enfants âgés de 8 ans ou plus et des personnes aux capacités physiques, sensorielles ou mentales diminuées ou manquant d'expérience et de connaissances, s'ils font l'objet d'une supervision adéquate ou ont reçu des instructions appropriées concernant une utilisation sécurisée de l'appareil, et s'ils en comprennent les dangers. Les enfants ne doivent pas jouer avec l'appareil. Le nettoyage et l'entretien de l'appareil ne doivent pas être effectués par des enfants sans surveillance adéquate.

**Avertissement** : n'utilisez pas cet appareil de chauffage d'ambiance dans de petites pièces occupées par des personnes incapables de quitter seules la pièce, à moins qu'elles ne fassent l'objet d'une surveillance constante.

**Avertissement** : ne couvrez pas l'appareil afin d'éviter toute surchauffe. Ne placez pas d'objets ou de vêtements sur l'appareil et n'obstruez pas la circulation de l'air autour de l'appareil, par exemple avec des rideaux ou des meubles, car cela pourrait entraîner une surchauffe et un risque d'incendie.

L'appareil comporte la mention d'avertissement « Do Not Cover » (Ne pas couvrir). 

**Avertissement** : afin de réduire le risque d'incendie, maintenez les textiles, les rideaux ou tout autre matériau inflammable à une distance minimale de 1 m de la sortie d'air.

**Avertissement** : afin d'éviter tout risque lié à une réinitialisation involontaire de l'interrupteur thermique, cet appareil ne doit pas être alimenté au moyen d'un dispositif de commutation externe, tel qu'un minuteur, ni être connecté à un circuit régulièrement coupé et rallumé par la compagnie d'électricité.



# INSTRUCTIONS IMPORTANTES

## AVERTISSEMENT : MAINTENEZ LES PILES HORS DE PORTÉE DES ENFANTS

- Leur ingestion peut entraîner une blessure grave en seulement 2 heures, voire le décès, en raison de brûlures chimiques et de la perforation potentielle de l'œsophage.
- Si vous pensez que des piles ont été ingérées ou insérées dans n'importe quel partie du corps, contactez immédiatement un médecin.
- Examinez les appareils et assurez-vous que le compartiment à piles est bien sécurisé, par exemple que la vis ou tout autre dispositif de fermeture mécanique est bien serré(e). N'utilisez pas le compartiment s'il n'est pas fixé.
- Jetez immédiatement et de manière sécurisée toute pile bouton usagée. Les piles plates peuvent toujours être dangereuses.

## ATTENTION : aucun symptôme visible.

Il est malheureusement difficile de détecter la présence d'une pile bouton coincée dans l'œsophage d'un enfant. Aucun symptôme spécifique n'y est associé. L'enfant peut :

- tousser, s'étouffer ou baver énormément ;
- donner l'impression d'avoir mal à l'estomac ou de souffrir d'un virus ;
- vomir ;
- pointer sa gorge ou son estomac du doigt ;
- ressentir une douleur dans l'abdomen, la poitrine ou la gorge ;
- être fatigué ou léthargique ;
- être plus calme ou se coller à vous plus que d'habitude ou ne pas sembler être lui-même ;
- perdre l'appétit ou avoir un appétit réduit ; et ne pas vouloir manger ou être incapable de manger des aliments solides.

Ces types de symptômes varient ou changent suivant que la douleur s'intensifie ou se calme.

Vomir du sang frais (rouge vif) est un symptôme spécifique de l'ingestion d'une pile bouton. Si c'est le cas de votre enfant, contactez immédiatement un médecin.

- L'absence de symptômes clairs est la raison pour laquelle il est important de se montrer vigilant avec les piles boutons de rechange ou « à plat » présentes dans la maison et les produits qui en contiennent.



# Spécifications techniques

## Exigences électriques

**⚠ AVERTISSEMENT** : la construction et le câblage doivent se conformer aux codes de la construction et de l'habitation locaux ainsi qu'aux autres réglementations en vigueur afin de minimiser le risque d'incendie, d'électrocution et de blessure.

**⚠ AVERTISSEMENT** : toujours faire appel à un électricien qualifié pour minimiser le risque d'incendie, d'électrocution ou de blessure.

**! REMARQUE** : un circuit de 13 ampères dédié, bien relié à un fusible et doté d'une tension nominale appropriée (230-240 V), est requis. Un sectionneur devra également être incorporé dans les cas où la prise du produit est inaccessible après installation.

## Informations techniques

Puissance : 230-240V~50Hz

**Puissance thermique**                      230 V                      240 V

Puissance thermique nominale	P <sub>Nom.</sub>	1,8	-	1,9	kW
------------------------------	-------------------	-----	---	-----	----

Puissance thermique minimale	P <sub>min.</sub>	0,9	-	0,9	kW
------------------------------	-------------------	-----	---	-----	----

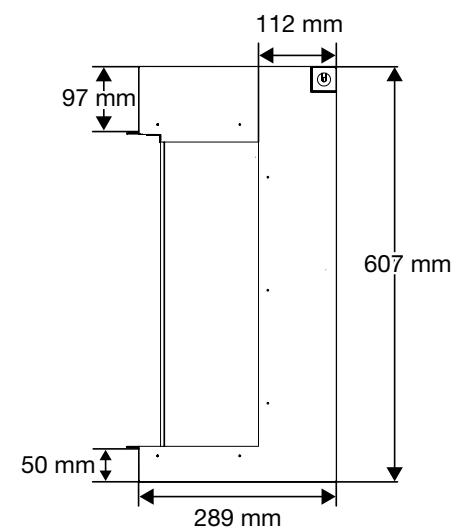
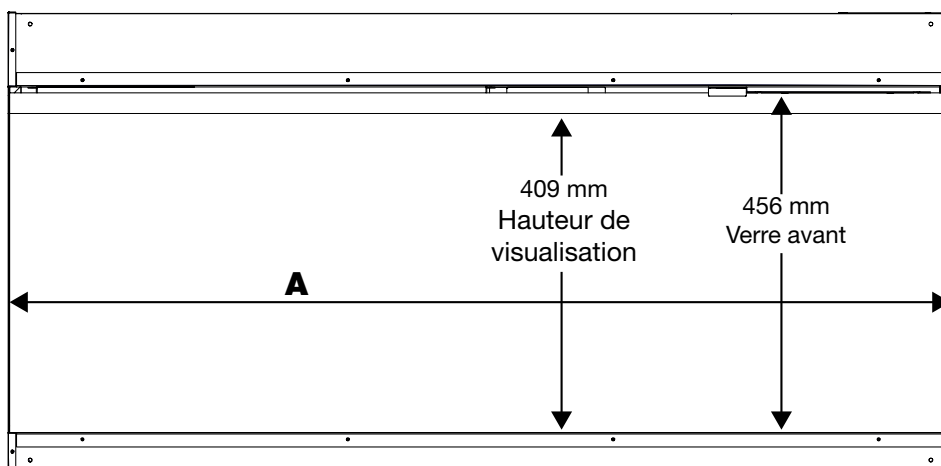
Puissance thermique continue maximale	P <sub>continue max.</sub>	1,8	-	1,9	kW
---------------------------------------	----------------------------	-----	---	-----	----

## Consommation électrique auxiliaire

En mode veille	e <sub>l<sub>SB</sub></sub>	0,5	-	0,5	W
----------------	-----------------------------	-----	---	-----	---

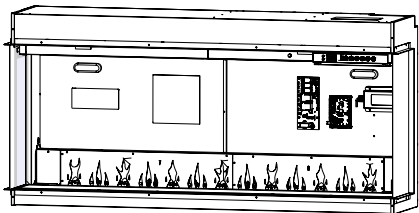

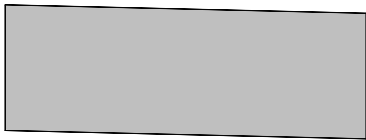

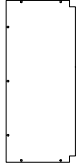
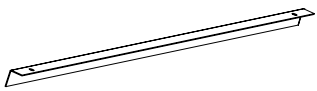
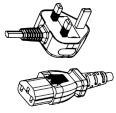
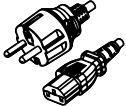


Avec le régulateur électronique de la température de la pièce.

## Dimensions du produit



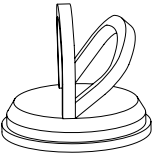

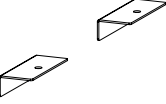
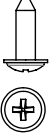

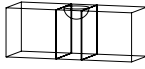
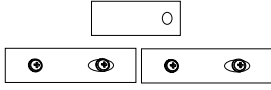


Modèle	A
BXLF1200	1246 mm
BXLF1500	1565 mm
BXLF1800	1883 mm

# Contenu de la boîte

Image	Description	Quantité		
		BXLF1200	BXLF1500	BXLF1800
	Foyer électrique	1	1	1
	Verre avant	1	1	1
	Verre miroir	1	1	1
	Verre latéral	2	2	2
	Moulure latérale fermée	2	2	2
	Support du verre miroir (les longueurs peuvent varier)	1	2	2
	Cordon d'alimentation britannique	1	1	1
	Cordon d'alimentation européen	1	1	1
	Bûches	7	9	11
	Éléments décoratifs en verre poli	4 kg	5 kg	6 kg

# Contenu de la boîte

Image	Description	BXLF1200	BXLF1500	BXLF1800
	Télécommande	1	1	1
	Guide d'installation et d'utilisation	1	1	1
 <i>Ne jetez pas la ventouse après l'installation. Conservez-la en lieu sûr, car elle servira pour l'entretien et la réparation de l'appareil.</i>	Ventouse	1	1	1
<b>Kit matériel</b>				
	Supports de montage	4	4	6
	Supports du verre avant	1	2	2
	Vis à bois de 25,4 mm	4	4	6
	Vis noires	11	14	16
	Niveau à bulle	1	1	1
	Kit de liaison (2 supports, 1 support à clip et 4 vis)	1	1	1

## Positionnement

! **REMARQUE** : afin de bénéficier d'un angle de vue optimal des flammes, nous vous recommandons de fixer la partie inférieure de l'unité à une distance du sol comprise entre 13 cm et 1 m.

⚠ **AVERTISSEMENT** : le dessus du foyer électrique doit être installé à au moins 61 cm du plafond. Le foyer électrique doit être installé à minimum 13 cm du sol.

### Wi-Fi

Pour les installations où l'utilisation de l'application Flame Connect est souhaitée, assurez-vous que le foyer électrique est situé à portée d'un réseau Wi-Fi.

### Conseils d'installation concernant les objets suspendus

Toujours suivre les recommandations fournis par le fabricant concernant l'installation d'objets suspendus sensibles à la chaleur, tels qu'un téléviseur, un manteau de cheminée ou une œuvre d'art, au-dessus d'un appareil de chauffage.

! **REMARQUE** : en mode de chauffage normal, les surfaces à 177,8 mm (7") au-dessus du foyer électrique ne dépasseront pas 40°C, à condition que les procédures d'installation soient suivies et que l'entrée et la sortie de l'appareil de chauffage ne soient pas obstruées.

## Préparation de la chambre de combustion pour l'installation

! **REMARQUE** : pour une installation multi-unités, reportez-vous aux instructions fournies avec le kit de liaison.

1. Enlevez les supports d'emballage en retirant les vis de chaque support. (Fig. 1)  
Ces supports et vis peuvent être jetés.
  2. Installez la moulure latérale souhaitée de chaque côté de la chambre de combustion. Installez le panneau latéral à l'aide de 7 vis noires.
    - Pour les côtés ouverts, sélectionnez la moulure latérale ouverte. La moulure latérale ouverte est préinstallée sur le foyer électrique. (Fig. 2)
    - Pour les côtés fermés, installez la moulure latérale fermée. (Fig. 3) N'installez pas les panneaux de verre latéraux dans cette configuration.
    - Pour les installations multi-unités, enlevez les panneaux latéraux des côtés adjacents en retirant les 9 vis. (Fig. 4) N'installez aucune moulure ou vitre latérale sur les côtés adjacents.
  3. Installez le cordon d'alimentation en suivant les instructions de la section *Installation électrique*. (p. 14).
  4. Si une installation avec désactivation permanente de la chaleur est souhaitée, suivez les instructions pour désactiver l'appareil de chauffage dans la section *Désactivation permanente de la chaleur* (p. 15).
  5. Couchez délicatement le foyer électrique sur le dos et installez les supports de montage en haut et en bas du foyer à l'aide des vis noires fournies. (Fig. 5)
- ! **REMARQUE** : il existe 4 supports de montage pour les unités BXLF1200 et BXLF1500 (Fig. 6), et 6 supports de montage pour les unités BXLF1800. (Fig. 7)
- ! **REMARQUE** : les supports de montage sont dotés de fentes qui permettent de les ajuster légèrement à l'encadrement. Veillez à ce que tous les supports soient alignés.

Fig. 1

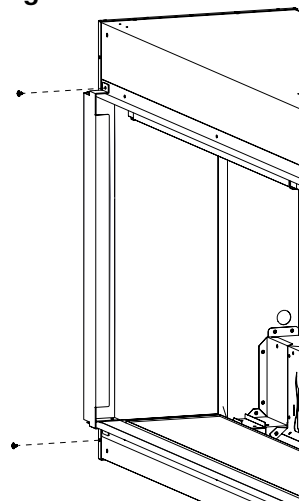


Fig. 2

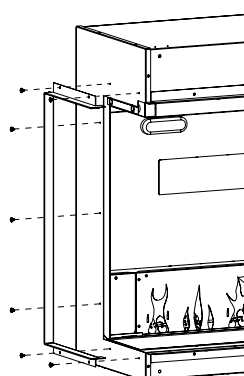


Fig. 3

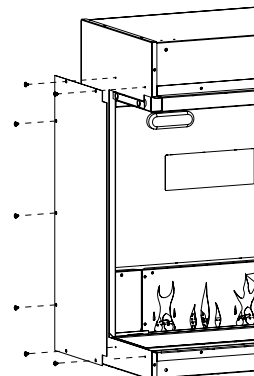


Fig. 4

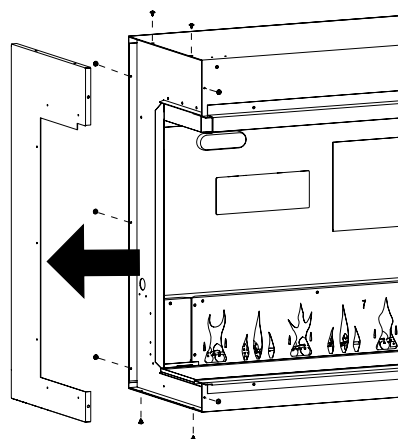


Fig. 5

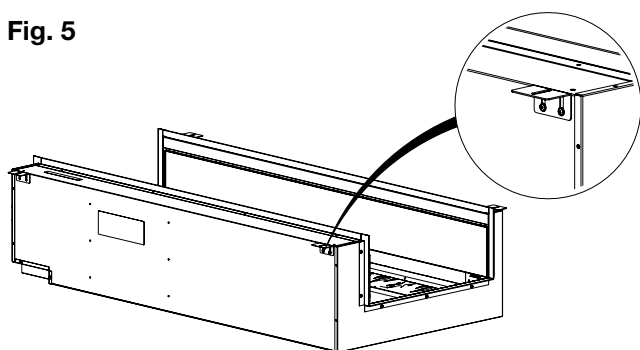


Fig. 6

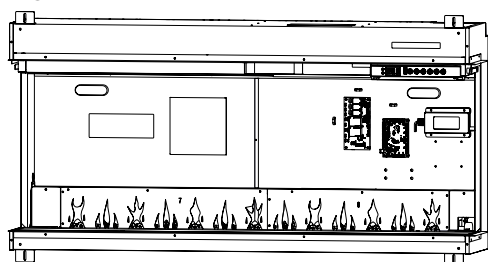
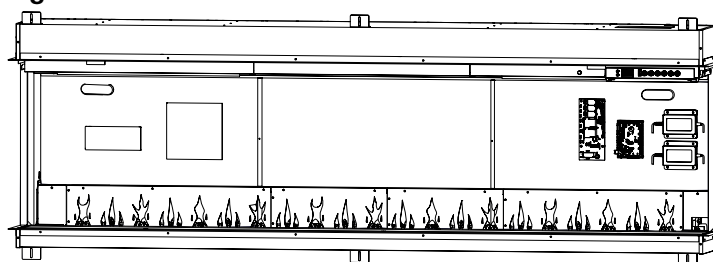


Fig. 7



## Instructions d'installation

! **REMARQUE** : il est recommandé que deux personnes installent l'appareil.

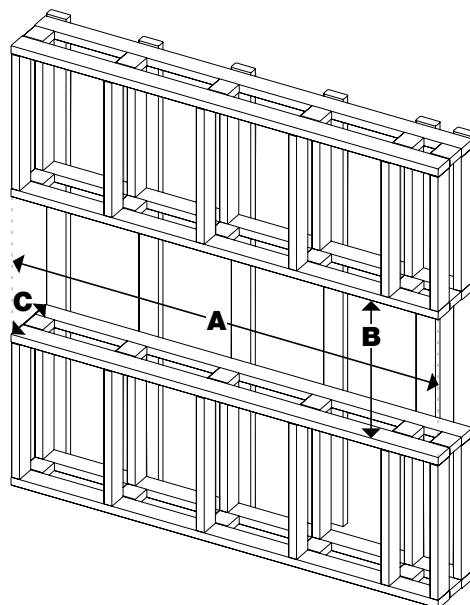
1. Préparez un mur doté d'une ouverture encadrée, en suivant les dimensions indiquées dans le tableau ci-dessous. Les dimensions sont les mêmes pour les installations de face, en coin et en niche.

! **REMARQUE** : ces dimensions d'encadrement sont basées sur une installation avec une cloison sèche de 13 mm.

### Dimensions de l'encadrement

Modèle	Largeur	Hauteur	Profondeur (minimum)
	<b>A</b>	<b>B</b>	<b>C</b>
BXLF1200	1257 mm	616 mm	295 mm
BXLF1500	1581 mm		
BXLF1800	1895 mm		
Longueur personnalisée pour les liens	Ajouter les largeurs des unités utilisées		

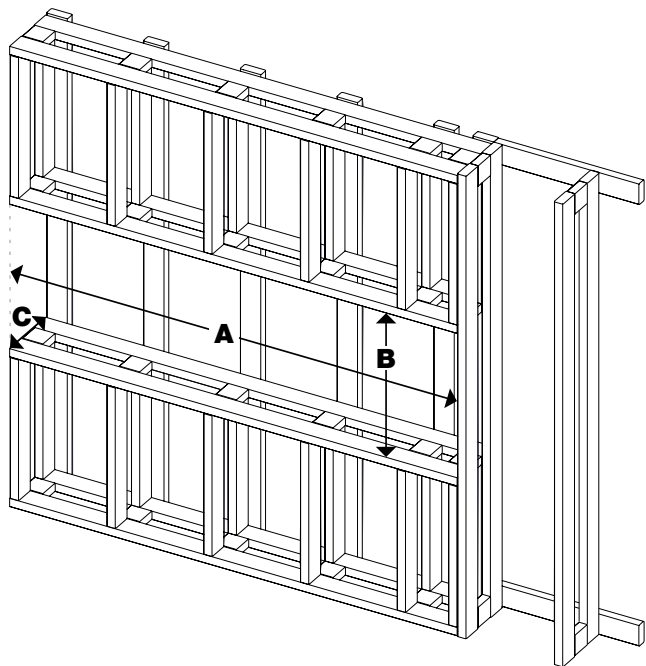
**Fig. 8**  
Installation en niche



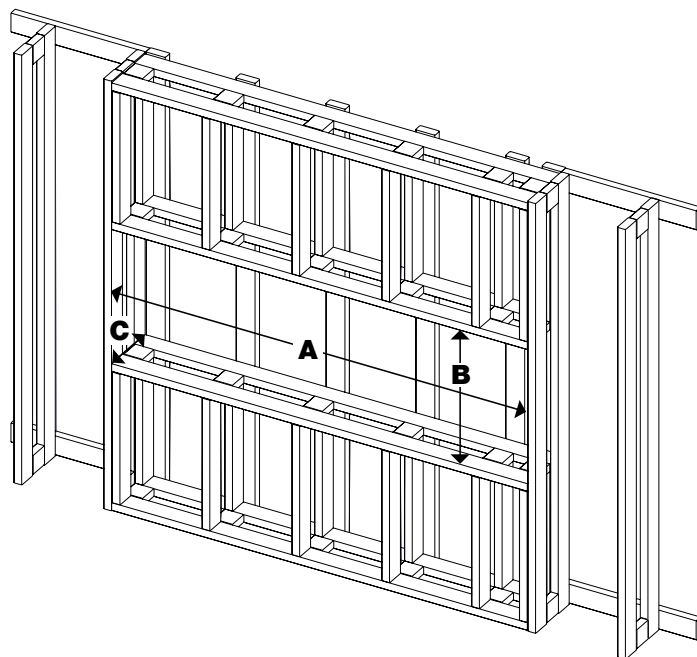
⚠ **ATTENTION** : ce foyer électrique n'est **PAS** porteur. Assurez-vous que l'ouverture destinée au foyer électrique est encadrée de manière à ce que le poids des matériaux de construction ne crée pas de pression sur la partie supérieure du foyer.

! **REMARQUE** : le câblage est situé dans le coin arrière supérieur droit de la chambre de combustion. Planifiez l'encadrement de manière à permettre le cheminement du cordon d'alimentation jusqu'à cet endroit.

**Fig. 9**  
Installation en coin gauche/droit



**Fig. 10**  
Installation de face



# Installation

1. Soulevez le foyer électrique dans l'ouverture de l'encadrement à l'aide des poignées situées à l'arrière du foyer.
  - ! **REMARQUE** : assurez-vous que les instructions de *Préparation de la chambre de combustion* pour l'installation (p. 10) ont été suivies avant l'installation.
2. Branchez le cordon d'alimentation qui sort du foyer électrique.
3. Nivelez le foyer électrique. Un niveau à bulle est inclus dans le kit d'installation fourni.
4. Pour les installations multi-unités, installez les supports de jonction entre les foyers adjacents. (Fig. 11)
5. Fixez les supports de montage à l'encadrement sur le dessus et le dessous à l'aide des vis à bois fournies. (Fig. 12) Les supports de montage empêcheront la chambre de combustion de se déplacer dans l'encadrement.
6. Installez le matériau de finition jusqu'à la moulure. (Fig. 13 et 14)
- ! **ATTENTION** : ne percez pas le boîtier du foyer électrique.
7. Terminez l'installation au moyen des matériaux de finition de votre choix.
8. Terminez l'installation en suivant les instructions des sections suivantes : *Installation du verre miroir* (p. 16), *Disposition des éléments décoratifs* (p. 16), *Installation du panneau vitré avant* (p. 17) et *Installation du panneau vitré latéral* (p. 18).

Fig. 11

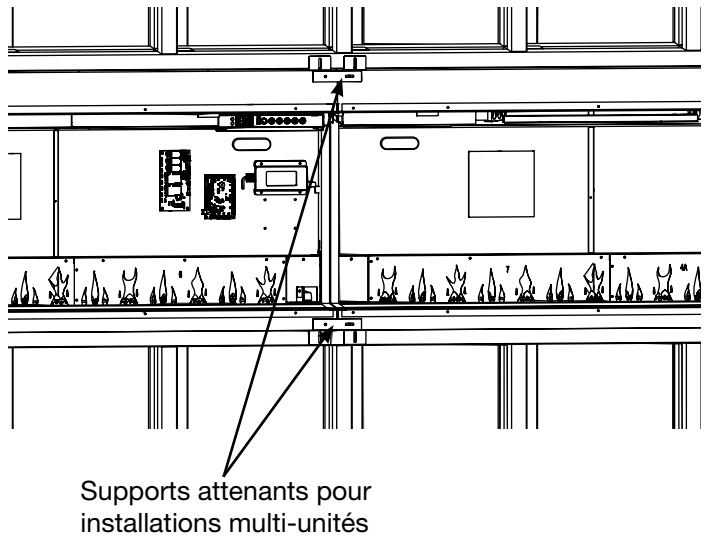
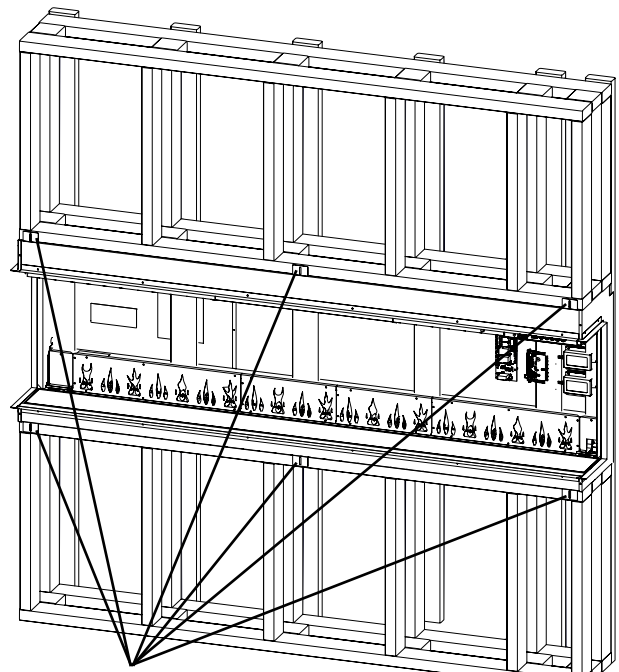


Fig. 12

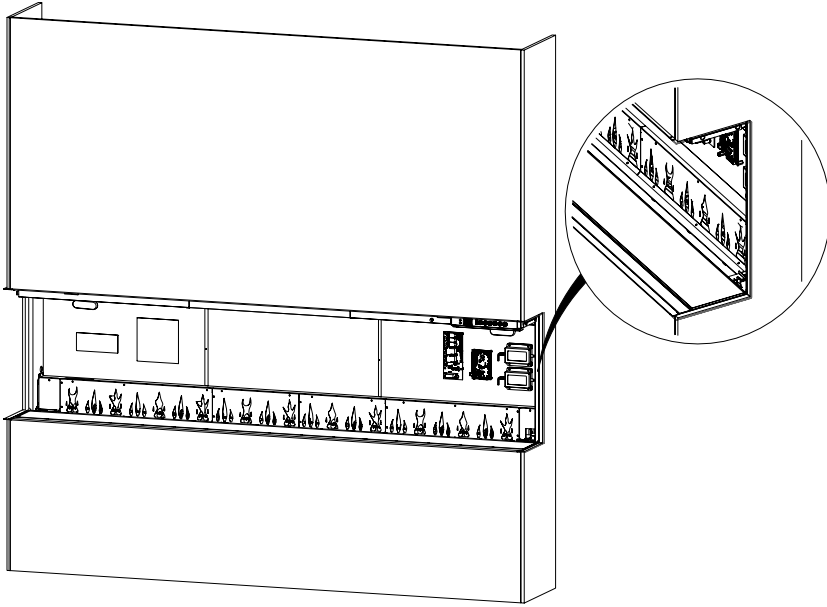




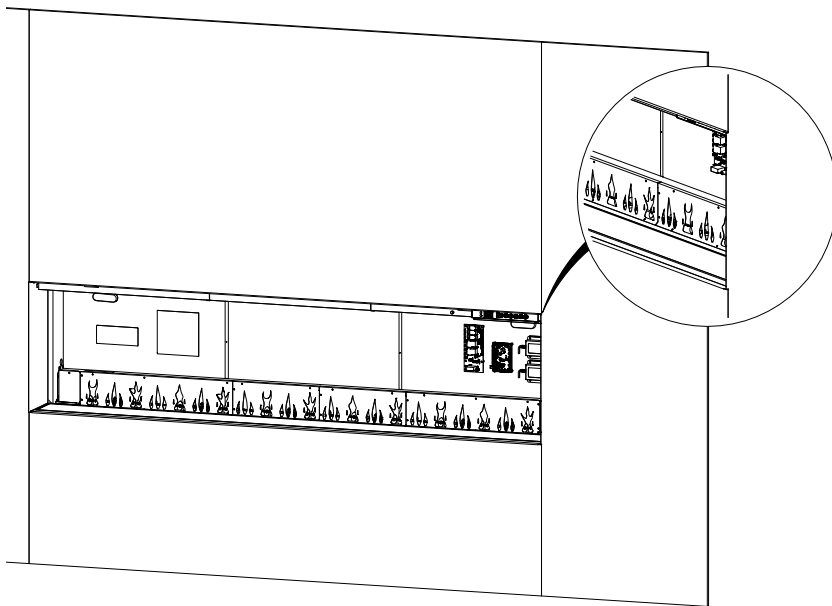
# Installation

---

**Fig. 13**



**Fig. 14**



## Installation électrique

### **⚠ AVERTISSEMENT :**

L'installation du foyer électrique doit être conforme aux codes électriques locaux et/ou nationaux applicables et aux exigences des services publics.

Utilisez le cordon approprié pour respecter les codes électriques locaux et nationaux en matière de consommation électrique nominale.

**⚠ AVERTISSEMENT :** un circuit de 13 ampères dédié, bien relié à un fusible et doté d'une tension nominale appropriée (230-240 V), est requis. Un sectionneur devra également être incorporé dans les cas où la prise du produit est inaccessible après installation.

### Installation du cordon d'alimentation

1. Sélectionnez le cordon d'alimentation approprié (l'option UE ou Royaume-Uni). (Fig. 15)
2. Installez le cordon d'alimentation en le branchant dans la prise filaire du foyer électrique. (Fig. 16.)

**⚠ AVERTISSEMENT :** cet appareil de chauffage n'est pas destiné à être utilisé avec une rallonge. Branchez le cordon directement dans une prise mise à la terre appropriée.

Fig. 15

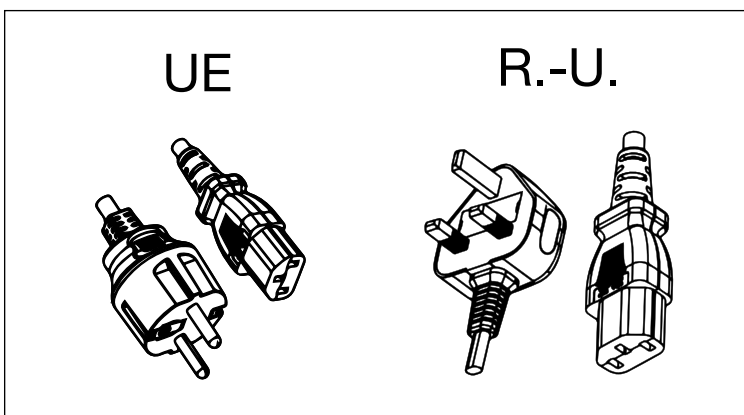
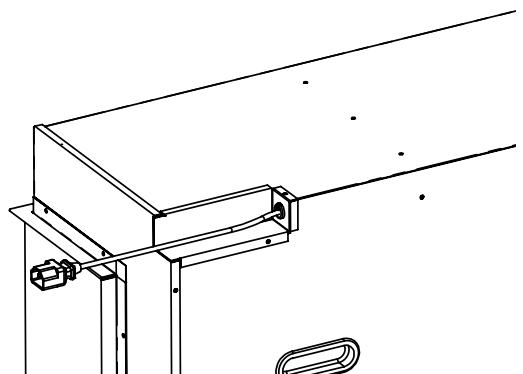


Fig. 16



## Déconnexion du matériel de chauffage

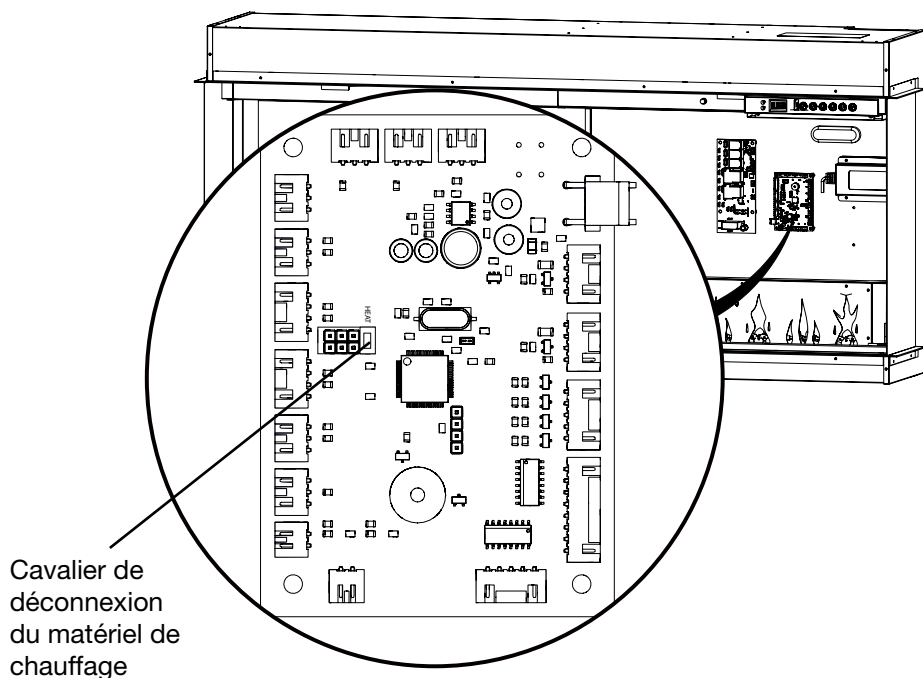
L'appareil de chauffage du foyer électrique peut être désactivé de façon permanente en retirant le cavalier électronique sur le tableau de commande.

**! REMARQUE :** la déconnexion du matériel de chauffage désactivera définitivement l'appareil de chauffage et le ventilateur. Suivez ces instructions uniquement lorsqu'une installation sans chaleur est requise. La désactivation temporaire de l'appareil de chauffage est possible grâce aux commandes tactiles cachées. Voir « Désactiver la fonction chauffage » dans la section *Fonctionnement* (page 19) pour les instructions.

### Pour débrancher définitivement l'appareil de chauffage et le ventilateur :

1. Localisez le tableau de commande. L'emplacement du cavalier de déconnexion du matériel de chauffage est étiqueté « HEAT ». (Fig. 17)
2. Retirez le cavalier de déconnexion du matériel de chauffage.

Fig. 17



## Installation du verre miroir

1. Fixez la ventouse fournie à la partie réfléchissante du verre miroir. Veillez à ce que la ventouse soit bien fixée.
2. En utilisant la ventouse pour vous aider, soulevez le verre miroir et placez-le dans la fente inférieure en biais.
3. Inclinez le verre miroir en position verticale. (Fig. 18)
4. Alignez les trous à l'intérieur de l'appareil avec les trous du support et installez les supports de verre miroir à l'aide des vis noires fournies. (Fig. 19)

! **REMARQUE** : utilisez une lampe de poche pour localiser les trous de vis dans le foyer électrique.

⚠ **AVERTISSEMENT** : assurez-vous que le verre miroir ne tombe pas vers l'avant pendant l'installation des supports de montage du verre miroir.

5. Retirez la ventouse et nettoyez toute trace de doigts ou de saleté du panneau vitré avec un nettoyant pour vitres non abrasif.

! **REMARQUE** : ne pas jeter la ventouse ! Conservez-la en lieu sûr, car elle peut être requise pour l'entretien et la réparation du foyer électrique.

Fig. 18

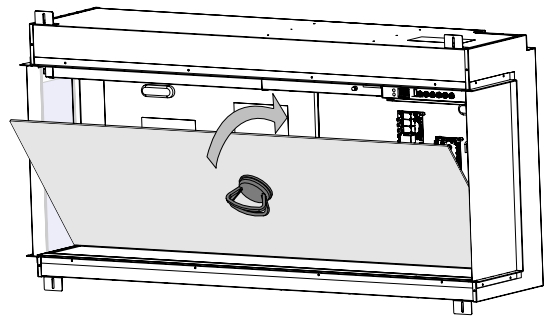
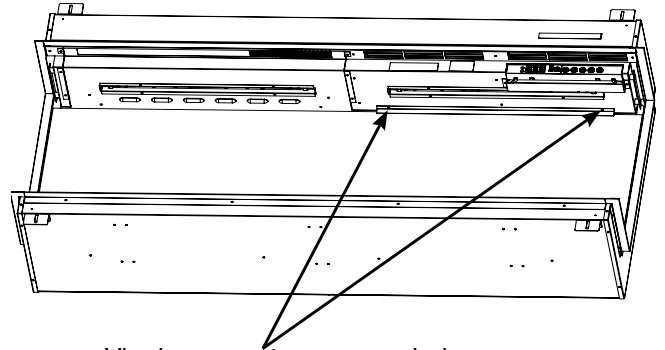


Fig. 19



Vis du support en verre miroir

! **REMARQUE** : BXL1500 et BXL1800 ont deux supports. Un support se trouve sur le côté intérieur supérieur droit de l'unité et l'autre sur la gauche.

## Disposition des éléments décoratifs

Pour de meilleurs résultats lors de l'utilisation des éléments décoratifs fournis, procédez comme suit :

! **REMARQUE** : retirez le film plastique du lit d'éléments décoratifs avant de les ajouter.

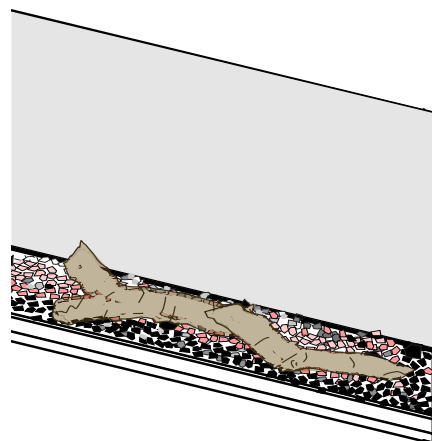
1. Mélangez les éléments décoratifs en verre poli.
2. Dispersez uniformément éléments décoratifs en verre poli pour recouvrir entièrement le lit d'éléments décoratifs.

! **REMARQUE** : pour une apparence plus réaliste, disposez les éléments décoratifs en verre poli noir et gris autour de l'avant et des côtés du lit d'éléments décoratifs.

3. Placez les morceaux de bûches sur les éléments décoratifs en verre poli.

Il est possible d'utiliser des ornements personnalisés pour décorer le foyer électrique. Les éléments décoratifs personnalisés doivent tenir facilement dans le bac sans le courber ni rayer la paroi vitrée. En outre, ils ne doivent pas contenir de sable ou de liquide, car cela pourrait compromettre la sécurité du foyer électrique.

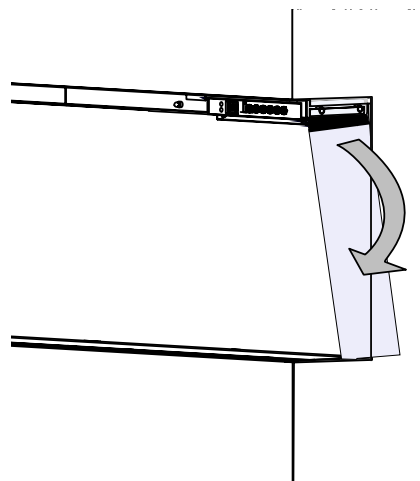
Fig. 20



## Installation du panneau vitré latéral

1. Assurez-vous que le côté mat de la moulure noire supérieure est orienté vers l'intérieur.
2. Insérez le haut du panneau vitré dans la fente supérieure.
3. Inclinez-le avec précaution vers l'intérieur jusqu'à ce qu'il soit en position verticale. Une fois en place, il se mettra dans la bonne position. (Fig. 21)
4. Répétez de l'autre côté pour les installations en niche.

Fig. 21



## Installation du panneau vitré avant

! **REMARQUE** : installez le panneau vitré avant et puis seulement mettez l'appareil sous tension. Si l'alimentation est déjà connectée avant l'installation de la vitre avant, allumez et éteignez l'appareil pour activer les commandes tactiles cachées.

1. Avant de commencer, assurez-vous qu'il n'y a aucun débris ou aucune trace de doigts sur le verre miroir, les côtés intérieurs du verre latéral ou sur la face intérieure du verre avant.
2. Fixez la ventouse fournie à la partie extérieure du panneau vitré avant. Veillez à ce que la ventouse soit bien fixée.
3. En utilisant la ventouse pour vous aider, soulevez le verre et placez-le dans la fente inférieure en biais.
4. Inclinez le verre en position verticale. (Fig. 22)
5. Fixez à l'aide des supports de verre avant et des vis noires fournis. (Fig. 23)

Fig. 22

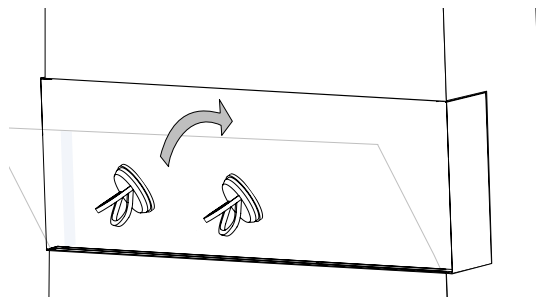
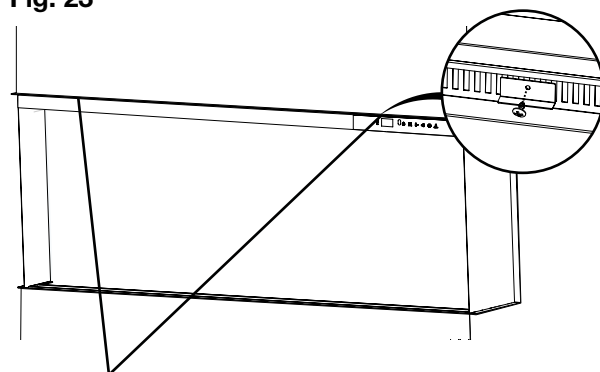


Fig. 23



Supports du verre avant

! **REMARQUE** : il existe un support de vitre avant pour le BXLF1200 et deux supports de vitre avant pour les unités BXLF1500 et BXLF1800.

- ⚠ **AVERTISSEMENT** : assurez-vous que le verre avant ne tombe pas vers l'avant pendant l'installation des supports de montage du verre avant.
6. Retirez la ventouse et nettoyez toute trace de doigts ou de saleté du panneau vitré avec un nettoyant pour vitres non abrasif.
- ! **REMARQUE** : ne pas jeter la ventouse ! Conservez-la en lieu sûr, car elle peut être requise pour l'entretien et la réparation du foyer électrique.

## Fonctionnement général

**⚠ AVERTISSEMENT** : ce foyer électrique doit être correctement installé avant de commencer à l'utiliser.

Il fonctionne au moyen de la technologie ComfortSaver™, qui règle automatiquement la vitesse du ventilateur et la puissance de l'appareil de chauffage d'ambiance, afin de répondre précisément et en toute sécurité aux besoins de la pièce en fonction du réglage du thermostat. L'appareil de chauffage fonctionne de telle sorte qu'une fois que la pièce atteint le point de consigne, le ventilateur et l'appareil de chauffage fonctionneront continuellement à un niveau bas, pour maintenir la température ambiante souhaitée. Si la température dans la pièce augmente de manière significative, l'appareil de chauffage s'éteindra et se rallumera périodiquement pour faire circuler l'air autour de l'unité, jusqu'à ce que la température ambiante baisse et nécessite le redémarrage de l'appareil de chauffage.

**! REMARQUE** : l'élément conserve la chaleur après son arrêt. Lorsque le chauffage est éteint, une période de refroidissement de deux minutes s'écoule avant que le ventilateur ne s'arrête complètement.

**! REMARQUE** : après une coupure de courant, le foyer électrique conserve les réglages précédemment utilisés.

## Commandes tactiles cachées

Les commandes tactiles cachées sont situées dans le coin supérieur droit du foyer électrique. (Fig. 24)

## Fonctionnement à distance

Le foyer électrique est accompagné d'une télécommande infrarouge multifonction. (Fig. 25)

**! REMARQUE** : pour fonctionner correctement, la télécommande doit être pointée vers l'avant de l'appareil.

## Application

Le foyer électrique peut être contrôlé au moyen de l'application mobile Flame Connect. Pour des informations à jour sur l'application, veuillez visiter [www.dimplex.com/fcapp](http://www.dimplex.com/fcapp)

## Réinitialiser le commutateur d'extinction de la température

En cas de surchauffe de l'appareil de chauffage d'ambiance, une coupure manuelle éteindra l'unité et celle-ci ne se remettra pas en marche sans une réinitialisation préalable. La réinitialisation peut être effectuée en éteignant l'unité au panneau de coupure principal et en patientant 30 minutes avant de la remettre en marche.

**⚠ ATTENTION** : si vous devez réinitialiser le foyer électrique en permanence, éteignez-le à l'aide du panneau de coupure principal et contactez l'assistance technique.

Fig. 24

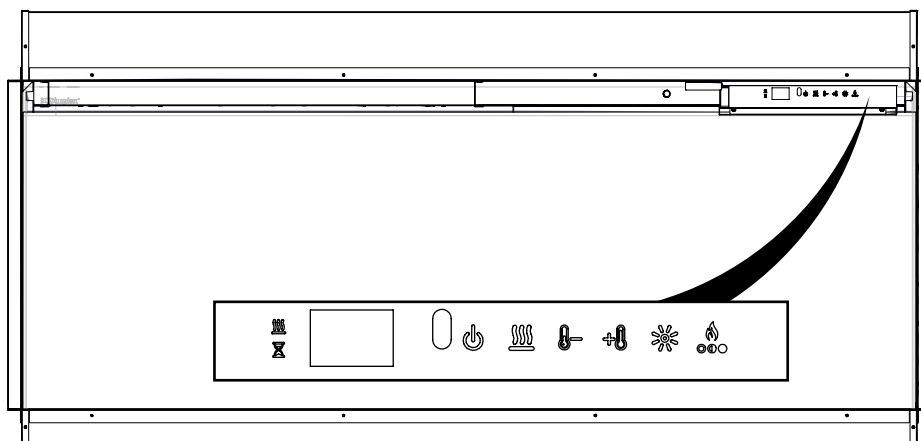
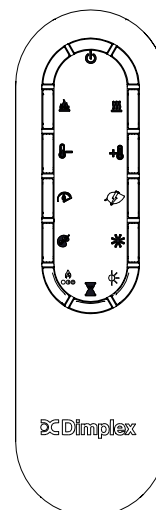






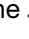
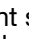
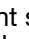







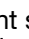
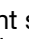

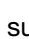

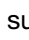

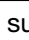
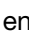

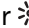




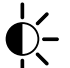

Fig. 25



# Fonctionnement

	Mode veille	Appuyez sur le bouton  pour mettre l'appareil en marche ou en mode veille. Lorsque l'appareil sera remis en marche, il conservera les réglages précédemment utilisés.
	Effet de flammes	Appuyez sur le bouton  pour allumer ou éteindre l'effet de flamme, les éléments décoratifs et les lumières de la partie supérieure de l'unité.
	Chauffage	Appuyez sur le bouton  pour allumer ou éteindre le chauffage. Le foyer électrique émettra un bip et l'icône  restera affichée à l'écran lorsqu'il sera activé. Le foyer électrique peut fonctionner en mode chaleur uniquement en désactivant les effets de flamme et de couleur.
	Désactiver la fonction chauffage	Appuyez simultanément sur les boutons  et  pendant trois secondes pour désactiver ou activer la fonction chauffage. Cette action doit être effectuée sur les <b>commandes tactiles cachées</b> . Lorsque la fonction chauffage est désactivée et que l'on appuie sur le bouton  ,  ou  , le message --- apparaît sur l'écran.
	Augmentation de la température	Appuyez sur le bouton  pour augmenter la température.
	Baisse de la température	Appuyez sur le bouton  pour baisser la température.
		La température peut être réglée de 7° C à 30° C (45° F à 86° F). Lorsque la température est ajustée, la température réglée clignote pendant 2 secondes, puis la température ambiante de la pièce s'affiche brièvement.
	Affichage de la température (°C ↔ °F)	Appuyez simultanément sur les boutons  et  pendant trois secondes. Cette action doit être effectuée sur les <b>commandes tactiles cachées</b> .
	Vitesse des flammes	Appuyez plusieurs fois sur  pour parcourir les cinq vitesses de flamme différentes.
	Mode de chauffage	Appuyez plusieurs fois sur  pour parcourir les quatre modes de chauffage différents : <b>Normal</b> : l'élément s'ajustera automatiquement pour atteindre et maintenir la température réglée. <b>Heat Boost</b> : l'élément fonctionnera à puissance maximale pendant 20 minutes, puis reviendra en mode de chauffage normal. <b>Eco</b> : l'élément fonctionnera à puissance réduite pour économiser de l'énergie. <b>Fan</b> : l'élément s'éteindra et seul le ventilateur fonctionnera.
	Ambiances	Appuyez plusieurs fois sur  pour parcourir les huit ambiances différentes, qui sont différentes combinaisons de lumières de la partie supérieure de l'unité et du lit d'éléments décoratifs. 1 – Flammes blanches 2 – Flammes bleues 3 – Flammes violettes 4 – Flammes rouges 5 – Flammes vertes 6 – Mode prisme – les éléments décoratifs et les lumières de la partie supérieure de l'unité alternent entre les différentes couleurs 7 – Mode kaléidoscope – les éléments décoratifs et les lumières de la partie supérieure de l'unité alternent entre les différentes couleurs à un rythme différent 8 – Mode minuit – les éléments décoratifs et les lumières de la partie supérieure de l'unité sont désactivés Appuyez et maintenez enfoncé  pour allumer ou éteindre les lumières de la partie supérieure de l'unité.
	Couleur personnalisée	Fixez les éléments décoratifs et les lumières de la partie supérieure dans une couleur personnalisée. En mode Prisme ou Kaléidoscope (voir Ambiances), appuyez sur  pendant que la couleur souhaitée est affichée pour figer le cycle sur cette couleur. Appuyez à nouveau sur  pour relancer le cycle de couleur.

# Fonctionnement

	Luminosité	Appuyez plusieurs fois sur ☼ pour parcourir les modes de luminosité et de scintillement. Solide H – Haute luminosité Solide L – Faible luminosité Cycle H – Haute luminosité avec éléments décoratifs et lumières de la partie supérieure de l'unité scintillants Cycle L – Faible luminosité avec éléments décoratifs et lumières de la partie supérieure de l'unité scintillants
	Thème de la flamme	Appuyez plusieurs fois sur 🔥 pour parcourir les sept thèmes de flammes différents : 1 - Base aux accents orange et bleus 2 - Base aux accents orange 3 - Base aux accents bleus 4 - Bleu 5 - Orange 6 - Base 7 - Orange et bleu
	Capteur de lumière ambiante	Appuyez sur ☼ pour allumer ou éteindre le capteur de lumière ambiante. Le capteur de lumière ambiante ajustera automatiquement la luminosité des lumières du foyer électrique en fonction de la lumière ambiante de la pièce.
	Minuteur	Appuyez plusieurs fois sur ⌚ jusqu'à ce que le nombre d'heures souhaité du minuteur s'affiche. Lorsque cette fonction est active, le foyer électrique s'éteindra après un laps de temps défini. Le minuteur peut être réglé de 30 minutes (l'écran affichera .5 Hr) à 8 heures, par intervalles de 30 minutes. Pour désactiver le minuteur, appuyez plusieurs fois sur ⌚ jusqu'à ce que ⏏ apparaisse sur l'écran. Il est possible d'appuyer sur le bouton minuteur pour voir la durée restante pendant que le minuteur est activé.
	Réinitialisation des paramètres d'usine	Appuyez et maintenez enfoncés ⏏ et 🔥 en même temps pendant trois secondes pour réinitialiser tous les paramètres aux valeurs d'usine par défaut. Cette action déconnectera également l'appareil du réseau Wi-Fi s'il est connecté. Cette action doit être effectuée sur les <b>commandes tactiles cachées</b> .

## NOUVEAU ! Application Flame Connect



Téléchargez l'**application Flame Connect** sur votre appareil mobile et créez un compte. Avec l'application, vous pouvez ajouter un niveau supplémentaire de personnalisation, comme l'enregistrement de paramètres d'ambiance personnalisés.

- Connectez vos foyers électriques
- Ajoutez autant de foyers que vous le souhaitez à l'application Flame Connect.
- Personnalisez votre produit
- Modifiez les modes et les réglages de votre foyer électrique en fonction de votre humeur.
- Sécurisez votre appareil
- Devenez propriétaire d'un produit pour empêcher tout accès non autorisé.

Pour plus d'informations, visitez [www.dimplex.com/fcapp](http://www.dimplex.com/fcapp)



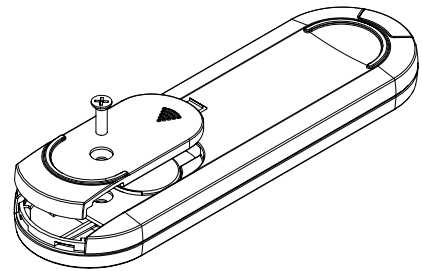


## Remplacement des piles de la télécommande

Pour remplacer la pile :

1. Retirez le couvercle de la télécommande à l'aide d'un tournevis cruciforme.
2. Installez correctement une pile de 3 volts (CR2032 [durée de vie plus longue] ou CR2025) dans le compartiment à piles, le côté + vers le haut.
3. Remplacez le couvercle sur le compartiment à piles et remettez les vis en place.

Fig. 26



La pile doit être recyclée ou jetée de manière appropriée.

Renseignez-vous auprès des autorités locales ou de votre revendeur pour obtenir des conseils sur le recyclage dans votre région.

**AVERTISSEMENT** : coupez le courant et laissez l'appareil de chauffage d'ambiance refroidir avant de commencer tous travaux d'entretien ou de nettoyage afin de réduire le risque d'incendie, d'électrocution ou de blessure.

## Nettoyage du verre partiellement réfléchissant

Le verre partiellement réfléchissant est nettoyé en usine au cours de l'opération d'assemblage. Lors de l'expédition, de l'installation, de la manipulation, etc., le verre partiellement réfléchissant peut accumuler des particules de poussière ; celles-ci peuvent être enlevées en les dépeussiant légèrement avec un chiffon propre et sec.

Pour éliminer les traces de doigts ou autres marques, le verre partiellement réfléchissant peut être nettoyé avec un chiffon humide. Le verre partiellement réfléchissant doit être complètement séché avec un chiffon non pelucheux pour éviter les taches d'eau. Pour éviter les rayures, n'utilisez pas de nettoyeurs abrasifs.

## Nettoyage de la surface du foyer électrique

Utilisez uniquement un chiffon humide pour nettoyer les surfaces peintes du foyer électrique. N'utilisez pas de nettoyeurs abrasifs.




Le foyer électrique ne doit pas être mis en marche s'il y a une couche de poussière ou de la saleté sur ou à l'intérieur de celui-ci, car cela peut entraîner une accumulation de chaleur et endommager potentiellement l'appareil. L'appareil de chauffage d'ambiance doit par conséquent faire l'objet d'une inspection régulière, en fonction des conditions et tout au moins une fois par an.

## Réparation

Un réparateur agréé doit effectuer tout entretien autre que l'installation et le nettoyage décrits dans ce manuel.

# Dépannage

Pour de plus amples informations sur le dépannage, consultez le manuel d'entretien.

Problème	Écran	Cause	Solution
La chambre de combustion ne se met pas en marche avec les commandes tactiles manuelles.	S/O	Aucune alimentation électrique.	Assurez-vous que l'unité est alimentée Vérifiez le panneau de coupure principal Assurez-vous que l'interrupteur mural est allumé (le cas échéant)
La chambre de combustion ne se met pas en marche avec la télécommande	S/O	Les piles de la télécommande sont à plat ou sont mal installées.	Remplacez les piles de la télécommande Assurez-vous que les piles sont installées avec le côté + vers le haut.
L'appareil de chauffage d'ambiance ne s'allume pas.	---	L'appareil de chauffage d'ambiance est désactivé	Appuyez simultanément sur les boutons  et  pendant 3 secondes sur les commandes tactiles cachées pour désactiver ou activer la fonction chauffage.
	H--	L'appareil de chauffage d'ambiance a été désactivé de façon permanente	Si une installation avec chauffage est désirée, réinstallez le raccordement sur le panneau principal si vous en avez un ou achetez un nouveau panneau.
L'appareil de chauffage d'ambiance est en marche, mais aucune chaleur ne s'en dégage.		Fonctionnement normal — il y a 30 secondes de décalage avant la mise en marche de l'appareil	Aucune action requise.
Le disjoncteur se déclenche ou le fusible saute lorsque l'unité est en marche.	S/O	Mauvaise tension du circuit	Branchez l'appareil sur un circuit dédié d'au moins 13 ampères.
Le code d'erreur s'affiche	Err 1	La coupure de température est activée	Débranchez le cordon d'alimentation et attendez 5 minutes avant de rallumer l'appareil. Si l'erreur persiste, consultez le Manuel d'entretien.
	Err 12	La température ambiante est supérieure à 45° C (113° F)	Aucune action requise.
	Err 13	La température ambiante est inférieure à 5° C (41° F)	Aucune action requise.
	Err 1b	NTC non détecté	Consulter le manuel d'entretien.
	Err 23	Carte relais non détectée	Consulter le manuel d'entretien.

## RECYCLAGE



À la fin de sa durée de vie utile, un produit électrique ne doit pas être jeté avec les ordures ménagères. Veuillez le recycler là où des installations appropriées existent. Renseignez-vous auprès des autorités locales ou de votre revendeur pour obtenir des conseils sur le recyclage dans votre région.

© Glen Dimplex Flame Europe. Tous droits réservés. Le contenu de cette publication ne peut être reproduit en totalité ou en partie sans l'autorisation préalable écrite de Glen Dimplex Flame Europe.

# Installatie- en gebruikershandleiding



EN

DE

FR

NL

**BELANGRIJKE VEILIGHEIDSINFORMATIE:**


Lees eerst deze handleiding voordat u de elektrische haard installeert of gebruikt. Volg altijd de waarschuwingen en veiligheidsinstructies in deze handleiding en op het apparaat om persoonlijk letsel of materiële schade te voorkomen.

Het product voldoet aan de vereiste normen voor de productveiligheid, de elektromagnetische compatibiliteit en het milieu. Dit product voldoet volledig aan de richtlijnen voor LVD, EMC, RoHs en EcoDesign.



# Inhoudsopgave

---

<b>Welkom</b> .....	<b>3</b>
<b> BELANGRIJKE INSTRUCTIES</b> .....	<b>4</b>
<b>Technische specificaties</b> .....	<b>6</b>
Elektrische classificatie .....	6
Technische informatie .....	6
Productafmetingen .....	6
<b>Verpakkingsinhoud</b> .....	<b>7</b>
<b>Installatie</b> .....	<b>9</b>
Plaatsing .....	9
De vuurhaard voorbereiden voor installatie .....	10
Installatie-instructies .....	11
Elektrische installatie .....	14
De hardware van de verwarming ontkoppelen .....	15
Het spiegelglas installeren .....	16
Het branderbed .....	16
Het zijglas installeren .....	17
Het frontglas installeren .....	17
<b>Bediening</b> .....	<b>18</b>
Algemene bediening .....	18
Verborgen aanraakbediening .....	18
Afstandsbediening .....	18
App .....	18
De schakelaar van de temperatuuruitschakeling resetten .....	18
<b>Onderhoud</b> .....	<b>21</b>
Batterijvervanging van de afstandsbediening .....	21
Reinigen .....	21
Onderhoud .....	21
<b>Problemen oplossen</b> .....	<b>22</b>

# Welkom

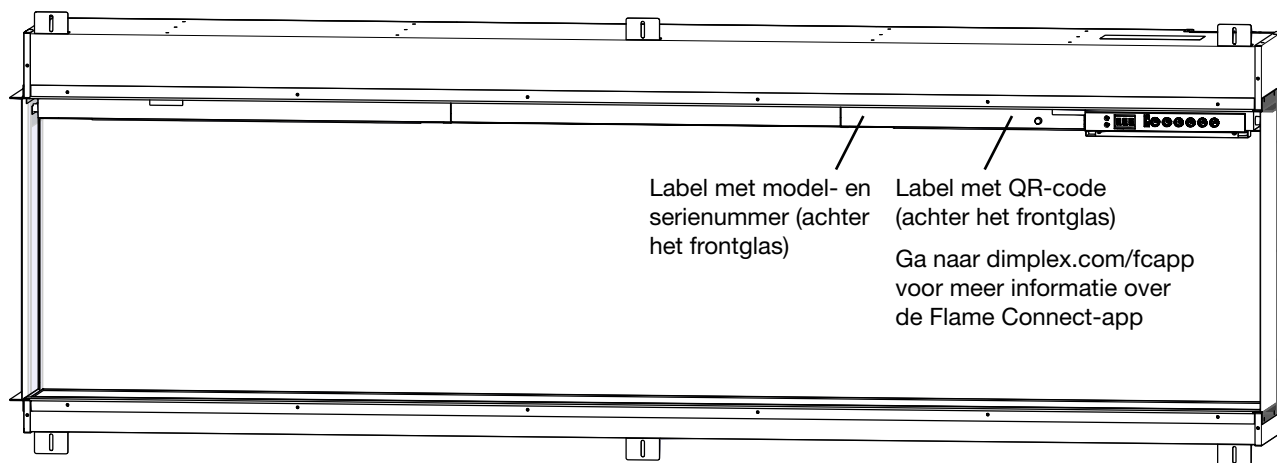
---

## MODEL- EN SERIENUMMER

Noteer uw model- en serienummer voor toekomstig gebruik.

Model \_\_\_\_\_

Serienummer \_\_\_\_\_



# BEWAAR DEZE INSTRUCTIES

# BELANGRIJKE INSTRUCTIES

**LET OP: HET NIET VOLGEN VAN DEZE INSTRUCTIES KAN LETSEL EN/OF SCHADE VEROORZAKEN EN KAN UW GARANTIE ONGELDIG MAKEN**

## **Belangrijk veiligheidsadvies**

Bij het gebruik van elektrische apparaten moeten altijd basisvoorzorgsmaatregelen worden genomen om het risico op brand, elektrische schokken en persoonlijk letsel te verminderen, waaronder de volgende:

- Als het apparaat beschadigd is, neem dan contact op met de leverancier vóór installatie en gebruik.
- Niet buiten gebruiken.
- Niet gebruiken in de directe omgeving van een bad, douche of zwembad.
- Plaats het apparaat niet direct onder een vast stopcontact of aansluitdoos.

**Waarschuwing:** Dit verwarmingstoestel mag alleen worden gebruikt voor normale huishoudelijke doeleinden in het land waar het gekocht is bij een erkende verkoper.

Gebruik deze kachel niet als hij is gevallen.

Niet gebruiken als er zichtbare tekenen van schade aan de kachel zijn.

Gebruik deze kachel op een horizontaal en stabiel oppervlak of bevestig hem aan de muur.

Kinderen jonger dan 3 jaar moeten uit de buurt worden gehouden, tenzij ze onder voortdurend toezicht staan. Kinderen ouder dan 3 jaar en jonger dan 8 jaar mogen het apparaat alleen in-/uitschakelen als het is geplaatst of geïnstalleerd in de beoogde normale bedrijfspositie en zij onder toezicht staan of instructies hebben gekregen over het veilige gebruik van het apparaat en de bijbehorende gevaren begrijpen. Kinderen ouder dan 3 jaar en jonger dan 8 jaar mogen het apparaat niet aansluiten, regelen en reinigen of gebruikersonderhoud uitvoeren.

**LET OP: Sommige onderdelen van dit product kunnen erg heet worden en brandwonden veroorzaken. Bijzondere aandacht moet worden geschonken indien kinderen en kwetsbare mensen aanwezig zijn.**

Dit apparaat kan worden gebruikt door kinderen van 8 jaar en ouder en personen met verminderde fysieke, zintuiglijke of mentale vermogens of gebrek aan ervaring en kennis als ze onder toezicht staan of instructies hebben gekregen over het veilige gebruik van het apparaat en de bijbehorende gevaren begrijpen. Kinderen mogen niet spelen met het apparaat. Reinigen en gebruikersonderhoud mogen zonder toezicht niet door kinderen worden uitgevoerd.

**Waarschuwing:** Gebruik deze kachel niet in kleine ruimtes waar personen aanwezig zijn die niet in staat zijn om de ruimte zelfstandig te verlaten, tenzij er constant toezicht is.

**Waarschuwing:** Dek het toestel niet af om oververhitting te voorkomen. Leg geen materiaal of kleding op het apparaat of belemmer de luchtcirculatie rond het apparaat niet, bijvoorbeeld met gordijnen of meubels, omdat dit oververhitting en brandgevaar kan veroorzaken.

Het apparaat is voorzien van de waarschuwing 'Do Not Cover' (niet bedekken).



**Waarschuwing:** Houd textiel, gordijnen of ander brandbaar materiaal op minimaal 1 m afstand van de luchtuitleet om het risico op brand te verminderen.

**Waarschuwing:** Om gevaar als gevolg van het onbedoeld resetten van de thermische beveiliging te voorkomen, mag dit apparaat niet worden gevoed via een extern schakelapparaat, zoals een timer, of worden aangesloten op een circuit dat regelmatig wordt in- en uitgeschakeld door het nutsbedrijf.

# BELANGRIJKE INSTRUCTIES

## **WAARSCHUWING: HOUD BATTERIJEN BUITEN HET BEREIK VAN KINDEREN.**

- Inslikken kan binnen slechts 2 uur leiden tot ernstig letsel of de dood, als gevolg van chemische brandwonden en mogelijke perforatie van de slokdarm.
- Als u denkt dat batterijen zijn ingeslikt of in een deel van het lichaam zijn geplaatst, zoek dan onmiddellijk medische hulp.
- Onderzoek apparaten en zorg ervoor dat het batterijcompartiment correct is vergrendeld, bijv. dat de schroef of een ander mechanisch bevestigingsmiddel is vastgedraaid. Niet gebruiken als het compartiment niet goed vastgezet is.
- Gooi gebruikte knoopbatterijen onmiddellijk en veilig weg. Lege batterijen kunnen nog steeds gevaarlijk zijn.

## **LET OP: Geen duidelijke symptomen**

Helaas is het niet duidelijk wanneer een knoop- of knoopcelbatterij in de slokdarm van een kind vastzit.

Hieraan zijn geen specifieke symptomen verbonden. Het kind kan:

- veel hoesten, kokhalzen of kwijlen;
- maagklachten of een virus lijken te hebben;
- overgeven;
- naar de keel of maag wijzen;
- pijn in de buik, borst of keel hebben;
- moe of lethargisch zijn;
- stiller of aanhankelijker zijn dan normaal of anderszins 'niet zichzelf';
- hun eetlust verliezen of een verminderde eetlust hebben en geen vast voedsel willen/kunnen eten.

Dit soort symptomen variëren of fluctueren, waarbij de pijn toeneemt en vervolgens afneemt.

Een specifiek symptoom van het inslikken van knoopcelbatterijen is het overgeven van vers (helderrood) bloed. Zoek onmiddellijk medische hulp als het kind dit doet.

- Het ontbreken van duidelijke symptomen is de reden waarom het belangrijk is om waakzaam te zijn met 'lege' of reserve knoopcelbatterijen in huis en de producten die deze bevatten.

<p> <b>WAARSCHUWING</b></p> <p><b>BUITEN BEREIK VAN KINDEREN HOUDEN</b></p> <p>Inslikken kan leiden tot chemische brandwonden, perforatie van zacht weefsel en overlijden. Ernstige brandwonden kunnen binnen 2 uur na inslikken optreden. Raadpleeg direct een arts.</p>	
--	---



## Elektrische vereisten

**⚠ WAARSCHUWING:** Constructie en bedrading moeten voldoen aan de lokale bouwvoorschriften en andere toepasselijke voorschriften om het risico op brand, elektrische schokken en persoonlijk letsel te verminderen.

**⚠ WAARSCHUWING:** Om het risico op brand, elektrische schokken of persoonlijk letsel te verminderen, dient u altijd een bevoegde elektricien te gebruiken.

**! OPMERKING:** Er is een speciaal, correct gezekeerd circuit van 13 ampère vereist, geschikt voor de juiste spanning (230-240 V). Er moet ook een werkschakelaar worden opgenomen in gevallen waarin de productstekker na installatie onbereikbaar is.

## Technische informatie

Classificatie: 230-240V~50Hz

**Warmteafgifte** 230 V 240 V

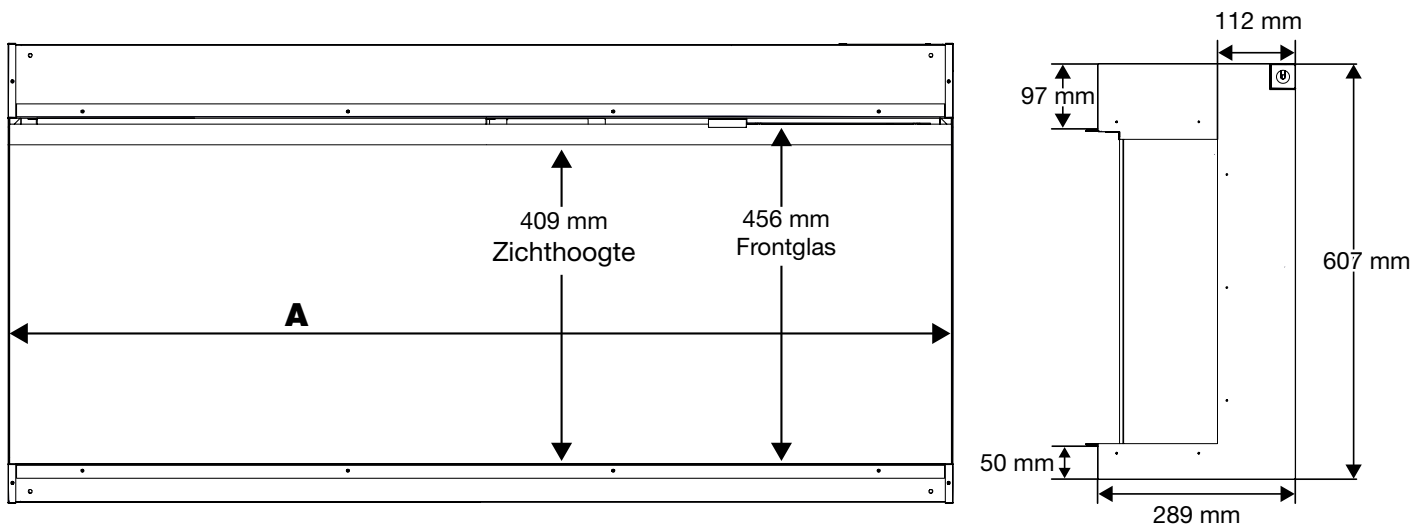
Nominale warmteafgifte	$P_{Nom}$	1,8	–	1,9	kW
Minimale warmteafgifte	$P_{min}$	0,9	–	0,9	kW
Maximale continue warmteafgifte	$P_{max, c}$	1,8	–	1,9	kW

### Aanvullend elektriciteitsverbruik

In de stand-bymodus	$el_{SB}$	0,5	–	0,5	W
---------------------	-----------	-----	---	-----	---

Met elektronische kamertemperatuurregeling

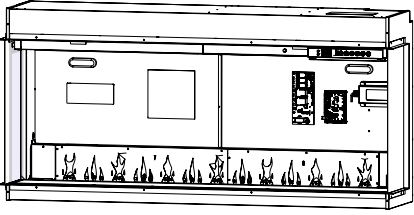
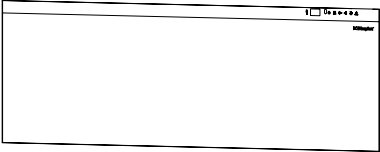
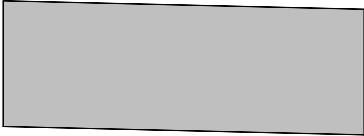


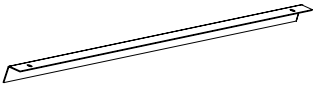
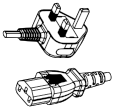
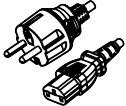


## Productafmetingen





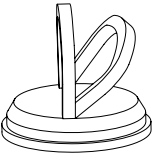

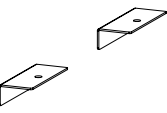


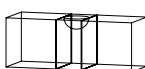
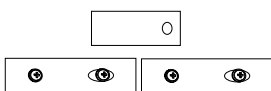
Model	A
BXLF1200	1246 mm
BXLF1500	1565 mm
BXLF1800	1883 mm



# Verpakkingsinhoud

Afbeelding	Omschrijving	Hoeveelheid		
		BXLF1200	BXLF1500	BXLF1800
	Vuurhaard	1	1	1
	Frontglas	1	1	1
	Spiegelglas	1	1	1
	Glas zijkant	2	2	2
	Gesloten zijbekleding	2	2	2
	Spiegel glasbeugel (lengte kan variëren)	1	2	2
	Snoerset voor Verenigd Koninkrijk	1	1	1
	Snoerset voor Europa	1	1	1
	Houtblokken	7	9	11
	Getrommeld glas voor het branderbed	4 kg	5 kg	6 kg

# Verpakkingsinhoud

Afbeelding	Omschrijving	BXLF1200	BXLF1500	BXLF1800
	Afstandsbediening	1	1	1
	Gebruikers- en installatiehandleiding	1	1	1
 <i>Gooi de zuignap niet weg na installatie. Bewaar het op een veilige plaats, aangezien het nuttig zal zijn voor het onderhoud van het apparaat.</i>	Zuignap	1	1	1
<b>Hardwarekit</b>				
	Montagebeugels	4	4	6
	Frontglasbeugels	1	2	2
	Houtschroeven van 25,4 mm	4	4	6
	Zwarte schroeven	11	14	16
	Waterpas	1	1	1
	Verbindingsset (2 beugels, 1 klembeugel en 4 schroeven)	1	1	1

## Plaatsing

! **OPMERKING:** Het wordt aanbevolen om de onderkant van het apparaat tussen 13 cm en 1 m van de grond te monteren om een optimaal zicht op de vlam te behouden.

⚠ **WAARSCHUWING:** De bovenkant van de haard moet minimaal 61 cm van het plafond worden geïnstalleerd. De haard moet minimaal 13 cm van de grond worden geïnstalleerd.

### Wifi

Voor installaties waarbij het gebruik van de Flame Connect-app gewenst is, zorgt u ervoor dat de haard zich binnen het bereik van een wifinetwerk bevindt.

### Installatieaanbevelingen voor overhangende objecten

Volg voor overhangende temperatuurgevoelige objecten, zoals een televisie, een schoorsteenmantel of een kunstwerk, altijd de aanbevelingen van de fabrikant voor installatie boven een kachel.

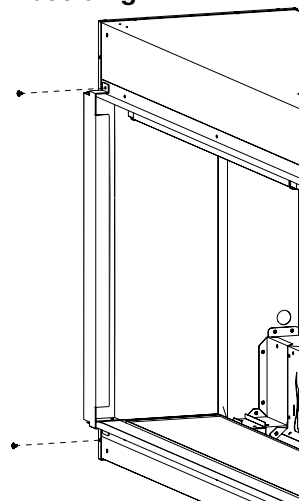
! **OPMERKING:** Bij gebruik van de normale verwarmingsmodus worden oppervlakken van 7" (177,8 mm) boven de haard niet warmer worden dan 40 °C, mits de installatieprocedures worden gevolgd en de inlaat en uitlaat van de verwarming niet worden geblokkeerd.

## De vuurhaard voorbereiden voor installatie

**! OPMERKING:** Als u meerdere units installeert, raadpleeg de instructies bij de verbindingsset voor installatie van meerdere units.

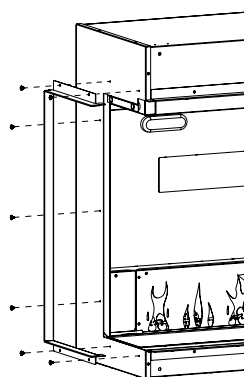
1. Verwijder de verpakking van de steunbeugels door de schroeven op elke beugel te verwijderen. (Afbeelding 1) Deze beugels en schroeven kunnen worden weggegooid.
2. Installeer de gewenste zijbekleding aan elke kant van de vuurhaard. Installeer het zijpaneel met 7 zwarte schroeven.
  - Voor open zijkanten kiest u de open zijbekleding. De open zijbekleding is voorgeïnstalleerd op de haard. (Afbeelding 2)
  - Voor gesloten zijkanten installeert u de gesloten zijbekleding. (Afbeelding 3) Installeer de glazen zijpanelen niet in deze opstelling.
  - Voor installaties met meerdere units verwijdert u de zijpanelen aan de aangrenzende zijden door de 9 schroeven te verwijderen. (Afbeelding 4) Installeer geen zijbekleding of glas aan aangrenzende zijden.

Afbeelding 1

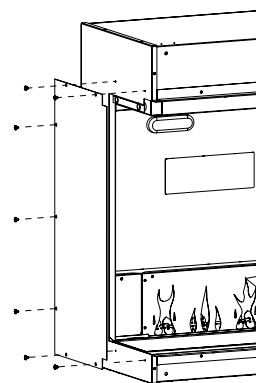


1. Installeer het netsnoer volgens de instructies in het gedeelte *Elektrische installatie* (p. 14).
2. Als een installatie met permanente uitschakeling van de verwarming gewenst is, volg dan de instructies om de verwarming uit te schakelen in het gedeelte *Permanente warmte uitschakelen* (p. 15).
3. Leg de vuurhaard voorzichtig op zijn achterkant en installeer de montagebeugels aan de boven- en onderkant van de vuurhaard met de meegeleverde zwarte schroeven. (Afbeelding 5)

Afbeelding 2



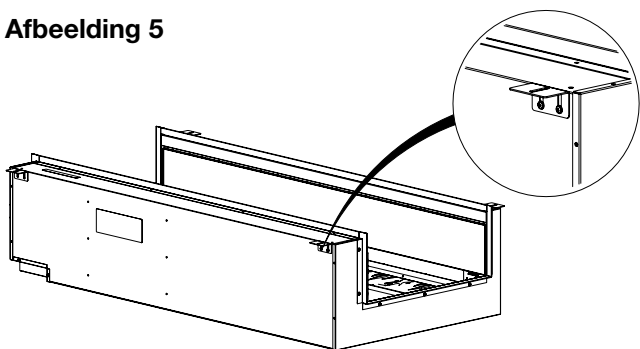
Afbeelding 3



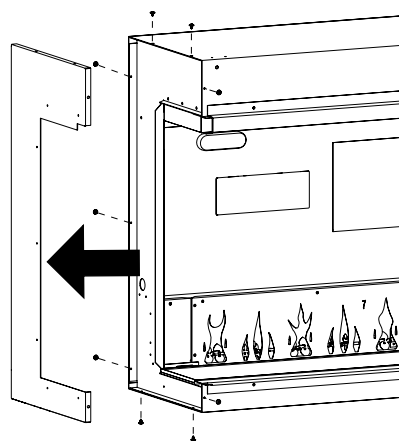
**! OPMERKING:** Er zijn 4 montagebeugels voor BXLF1200 en BXLF1500 units (Afbeelding 6) en 6 montagebeugels voor BXLF1800 units. (Afbeelding 7)

**! OPMERKING:** De montagebeugels zijn voorzien van sleuven zodat kleine aanpassingen aan de omlijsting mogelijk zijn. Zorg ervoor dat alle beugels uitgelijnd zijn.

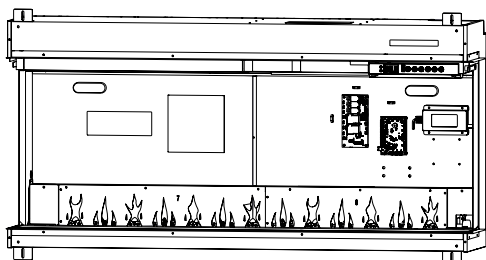
Afbeelding 5



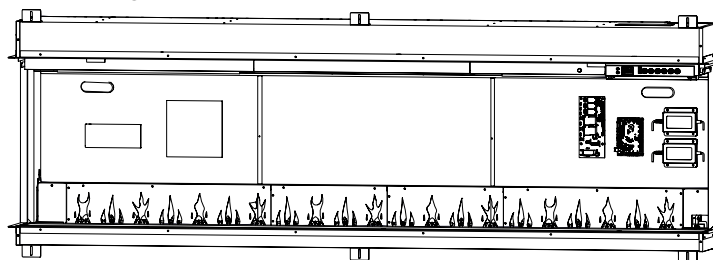
Afbeelding 4



Afbeelding 6



Afbeelding 7



## Installatie-instructies

! **OPMERKING:** Voor de installatie zijn twee personen vereist.

1. Bereid een muur voor met een omlijste opening volgens de afmetingen in de onderstaande tabel. De afmetingen zijn hetzelfde voor installaties met vooraanzicht, in een hoek en in een nis.

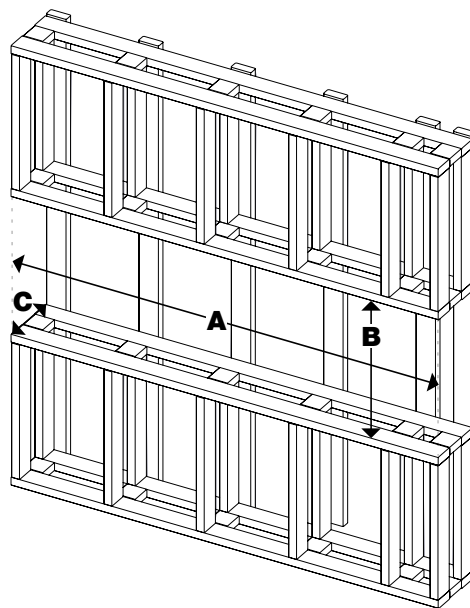
! **OPMERKING:** Deze omlijstingafmetingen zijn gebaseerd op een installatie met gipsplaten van 13 mm.

Omlijstingsafmetingen

Model	Breedte	Hoogte	Diepte (minimaal)
	<b>A</b>	<b>B</b>	<b>C</b>
BXLF1200	1257 mm	616 mm	295 mm
BXLF1500	1581 mm		
BXLF1800	1895 mm		
Aangepaste lengte voor gekoppelde units	Voeg breedtes van de gebruikte units toe		

Afbeelding 8

Installatie in een nis

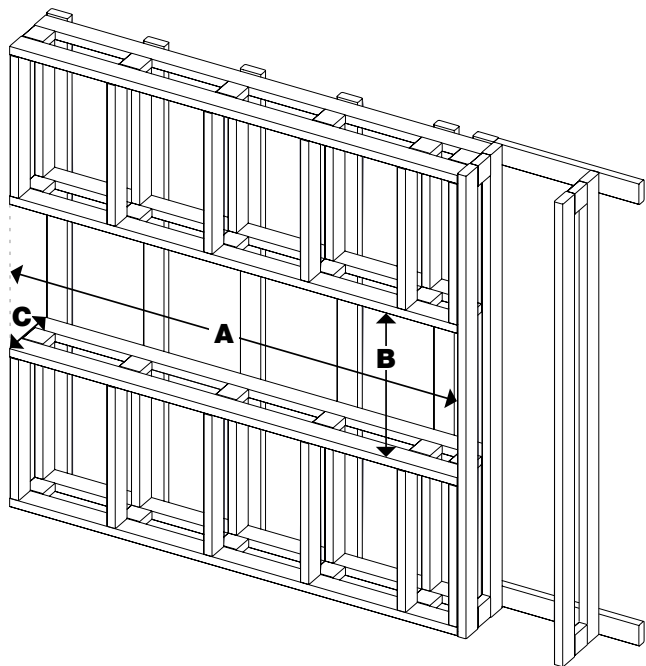


⚠ **LETOP:** Deze haard is **NIET** dragend. Zorg ervoor dat de opening voor de haard zo is omlijst dat het gewicht van de bouwmaterialen geen druk uitoefent op de bovenkant van de haard.

! **OPMERKING:** De bedrading bevindt zich in de rechterbovenhoek aan de achterkant van de vuurhaard. Plan de omlijsting zodanig dat de stroomkabel naar deze locatie kan worden geleid.

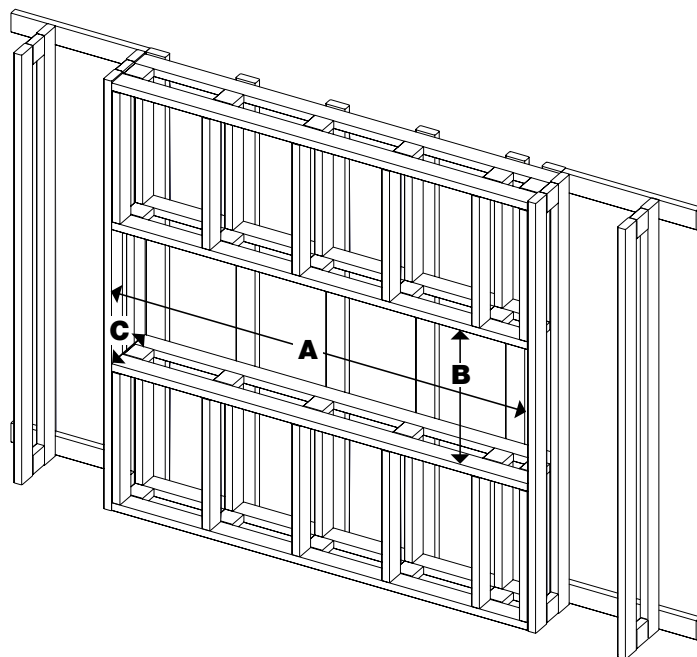
Afbeelding 9

Installatie in linker-/rechterhoek



Afbeelding 10

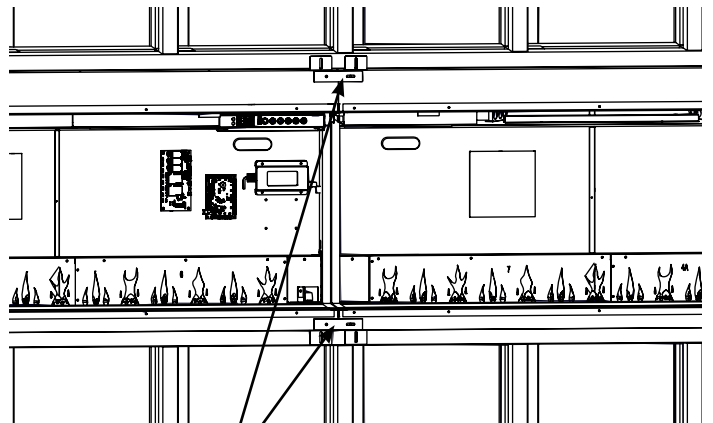
Installatie met vooraanzicht



# Installatie

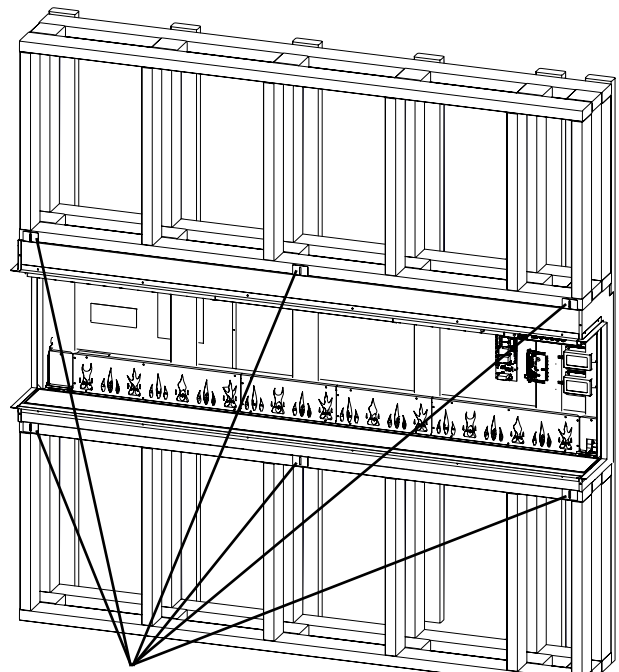
1. Til de vuurhaard in de opening van de omlijsting met behulp van de handgrepen aan de achterkant van de haard.
- ! **OPMERKING:** Zorg ervoor dat de instructies voor het *Voorbereiden van de voor installatie* (p. 10) voltooid zijn voordat u aan de installatie begint.
2. Steek de stekker van het netsnoer van de haard in het stopcontact.
3. Stel de vuurhaard waterpas. Een waterpas is inbegrepen in de meegeleverde hardwarekit.
4. Voor installaties met meerdere units installeert u de verbindingsbeugels tussen aangrenzende haarden. (Afbeelding 11)
5. Bevestig de montagebeugels aan de bovenkant en de onderkant van de omlijsting met behulp van de meegeleverde houtschroeven. (Afbeelding 12) De montagebeugels voorkomen dat de vuurhaard verschuift in de omlijsting.
6. Installeer het afwerkingsmateriaal tot en met de bekleding. (Afbeeldingen 13 en 14)
- ! **LET OP:** Boor niet in de behuizing van de vuurhaard.
7. Werk de installatie af met de afwerkingsmaterialen van uw keuze.
8. Voltooi de installatie met behulp van de instructies in de volgende delen: *Het spiegelglas installeren* (p. 16), *Het branderbed* (p. 16), *Het frontglas installeren* (p. 17) en *Het zijglas installeren* (p. 18).

Afbeelding 11



Verbindingsbeugels voor installaties met meerdere units

Afbeelding 12

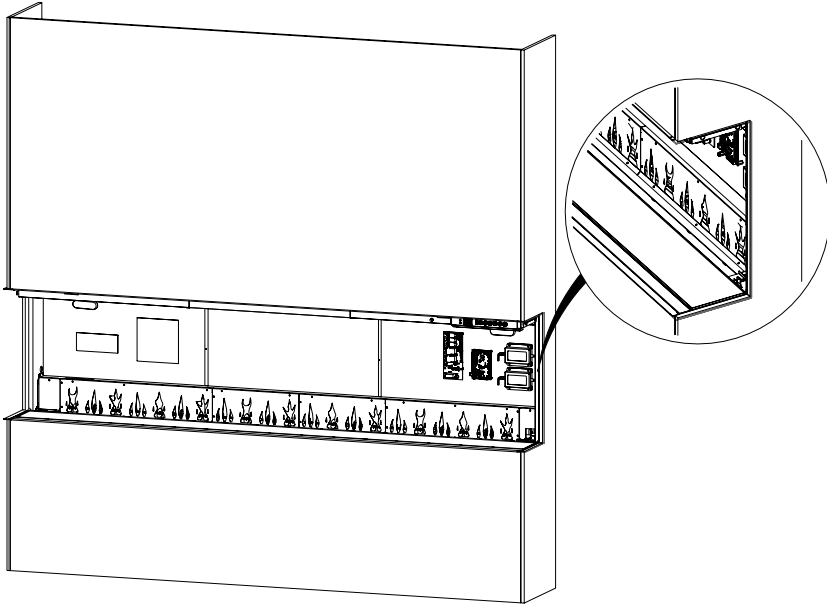


Montagebeugels (er zijn geen middenbeugels op de BXLF1200 en BXLF1500 units)

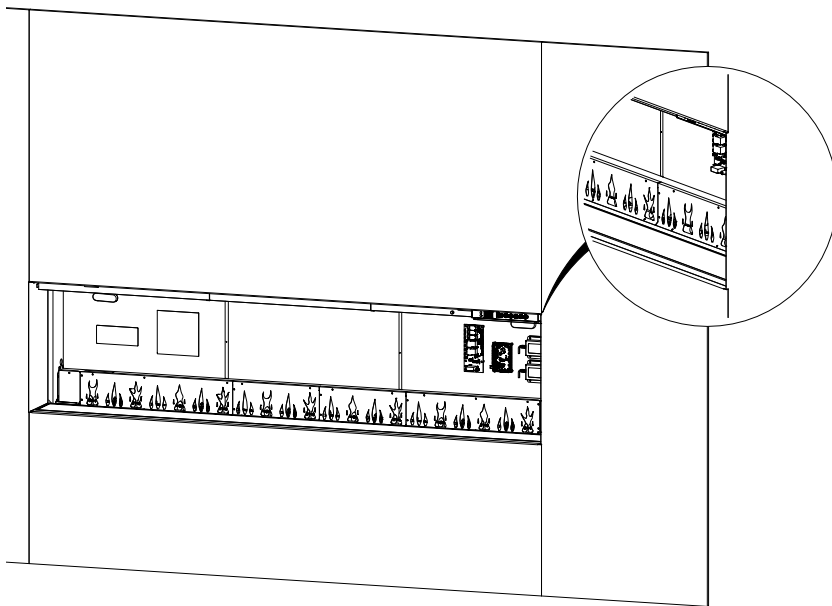
# Installatie

---

**Afbeelding 13**



**Afbeelding 14**



## Elektrische installatie

### **⚠ WAARSCHUWING:**

De installatie van de elektrische haard moet voldoen aan de toepasselijke plaatselijke en/of nationale elektriciteitsvoorschriften en de vereisten van de elektriciteitsmaatschappij.

Gebruik het juiste snoer om te voldoen aan de lokale en nationale elektriciteitsvoorschriften voor nominaal stroomverbruik.

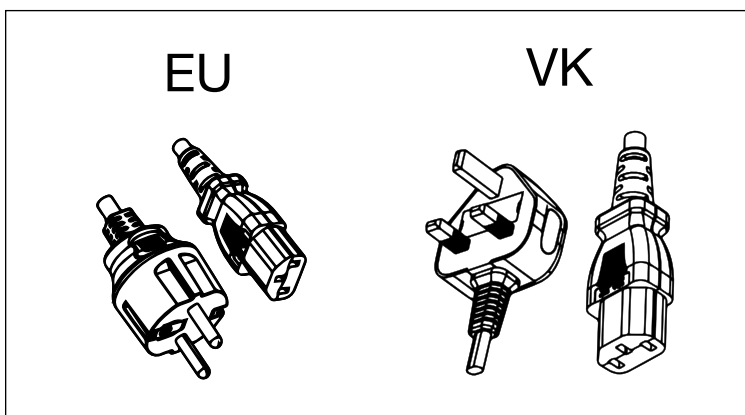
**⚠ LET OP:** Een speciaal, goed gezekerd circuit van 13 ampère is vereist en dat geschikt is voor de juiste spanning (230-240 V). Er moet ook een werkschakelaar worden opgenomen in gevallen waarin de productstekker na installatie onbereikbaar is.

### Installatie van het netsnoer

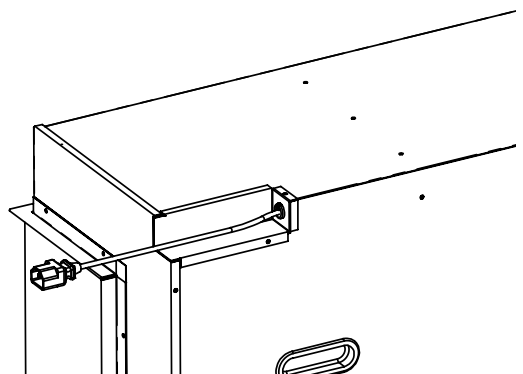
1. Kies het juiste snoer (de EU- of VK-optie). (Afbeelding 15)
2. Installeer het netsnoer door het in het aansluitpunt op de haard te steken. (Afbeelding 16).

**⚠ WAARSCHUWING:** Deze verwarming is niet bedoeld voor gebruik met een verlengsnoer. Steek het snoer rechtstreeks in een geschikt geaard stopcontact.

Afbeelding 15



Afbeelding 16





## De hardware van de verwarming ontkoppelen

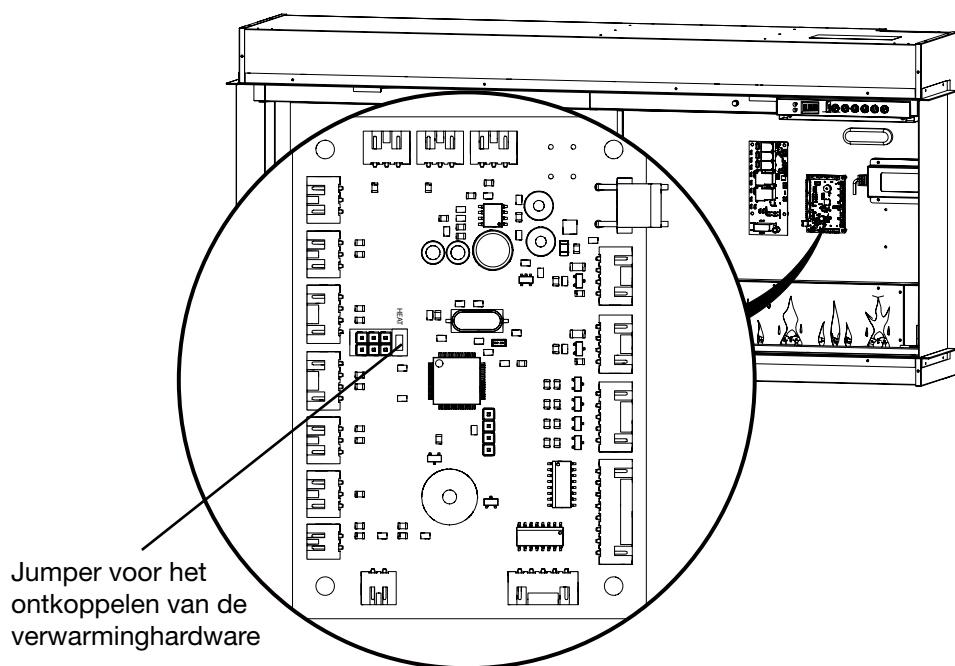
De openhaardverwarming kan permanent worden uitgeschakeld door de elektrische jumper op de besturingskaart te verwijderen.

**! OPMERKING:** Als u de hardware van de verwarming ontkoppelt, worden de verwarming en ventilator permanent uitgeschakeld. Volg deze instructies alleen wanneer een installatie zonder verwarming vereist is. U kunt de verwarming tijdelijk uitschakelen via de verborgen aanraakbediening. Raadpleeg 'De verwarming uitschakelen' in het gedeelte *Bediening* (pagina 19) voor verdere instructies.

### Om de verwarming en de ventilator permanent los te koppelen:

1. Ga naar de besturingskaart. De locatie van de jumper voor het ontkoppelen van de verwarminghardware is aangeuid met 'HEAT'. (Afbelding 17)
2. Trek de jumper voor het ontkoppelen van de verwarminghardware uit de besturingskaart.

Afbelding 17



## Het spiegelglas installeren

1. Bevestig de meegeleverde zuignap aan de reflecterende kant van het spiegelglas. Zorg ervoor dat de zuignap goed vastzit.
2. Til met behulp van de zuignap het spiegelglas op en plaats het schuin in de onderste sleuf.
3. Kantel het spiegelglas in verticale positie. (Afbeelding 18)
4. Laat de gaten aan de binnenkant van het toestel overeenkomen met de gaten op de beugel en installeer de spiegelglasbeugels met de meegeleverde zwarte schroeven. (Afbeelding 19)

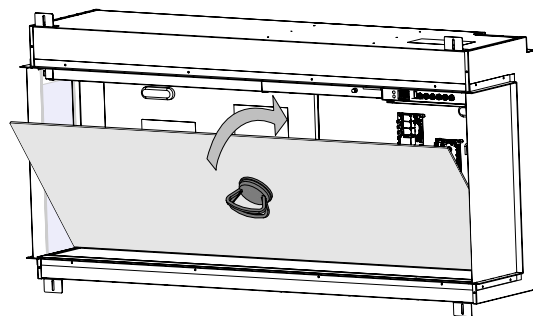
! **OPMERKING:** Gebruik een zaklamp om de schroefgaten in de haard te vinden.

⚠ **LET OP:** Zorg ervoor dat het spiegelglas niet naar voren valt wanneer de spiegelglasmontagebeugels worden geïnstalleerd.

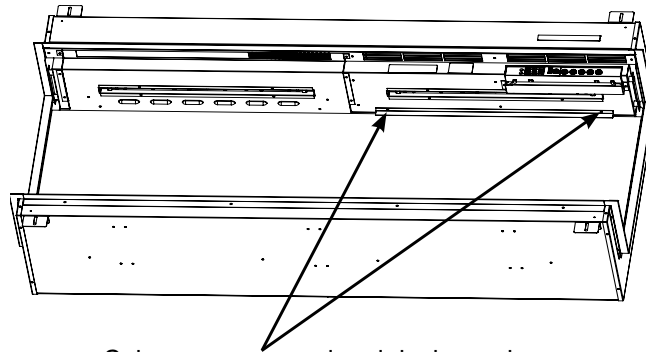
5. Verwijder de zuignap en vingerafdrukken of vuil van het glas met een niet-schurend glasreinigingsmiddel.

! **OPMERKING:** Gooi de zuignap niet weg! Bewaar hem op een veilige plaats, omdat hij nodig kan zijn voor onderhoud en onderhoud aan deze haard.

Afbeelding 18



Afbeelding 19



Schroeven voor spiegelglasbeugel

! **OPMERKING:** BXLF1500 en BXLF1800 hebben twee beugels. Eén beugel zit rechtsboven aan de binnenkant van de unit en de andere aan de linkerkant.

## Het branderbed

Installeer voor het beste resultaat het meegeleverde branderbed als volgt:

! **OPMERKING:** Verwijder de plastic folie van het branderbed voordat u het installeert.

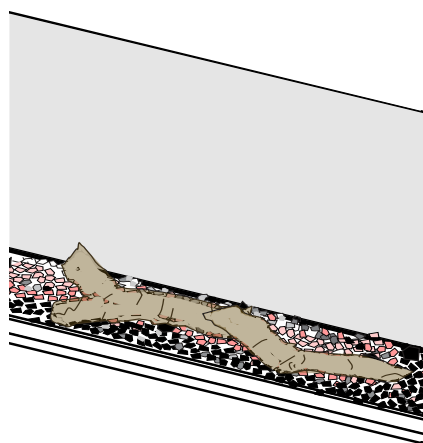
1. Meng de stukjes getrommeld glas voor het branderbed.
2. Verspreid de getrommelde stukjes glas gelijkmatig zodat het branderbed volledig wordt bedekt.

! **OPMERKING:** Schik voor een realistischere look de zwarte en grijze getrommelde stukjes glas rond de voorkant en zijkanten van het branderbed.

3. Plaats de houtblokken bovenop de stukjes getrommelde glas.

Het is mogelijk om aangepaste ornamenten voor het branderbed te gebruiken om uw vuurhaard te versieren. Aangepaste ornamenten moeten gemakkelijk in de haard passen zonder het glas te krassen of het branderbed te buigen. Ze mogen ook geen zand of een vloeistof bevatten, want dit kan de veiligheid van de vuurhaard in gevaar brengen.

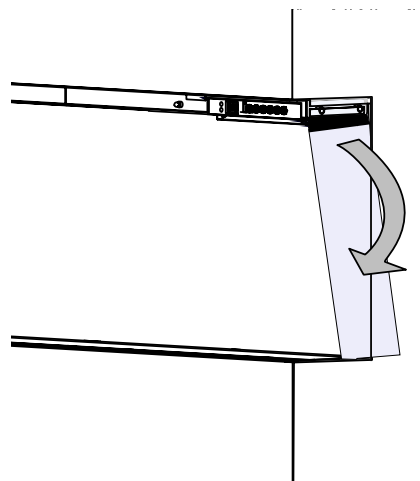
Afbeelding 20



## Het zijglas installeren

1. Zorg ervoor dat de matte kant van de bovenste zwarte rand naar de binnenkant is gericht.
2. Steek de bovenkant van het glaspaneel in de bovenste sleuf.
3. Kantel het glaspaneel voorzichtig naar binnen tot het verticaal staat. Eenmaal op zijn plaats komt het in de juiste positie. (Afbeelding 21)
4. Herhaal aan de andere kant voor de installaties.

Afbeelding 21

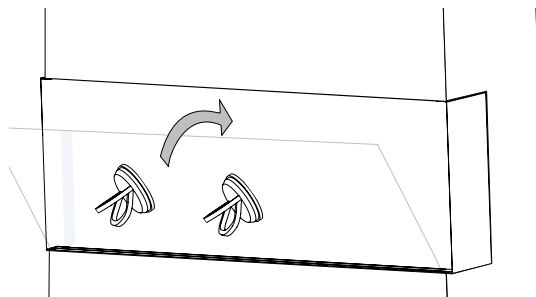


## Het frontglas installeren

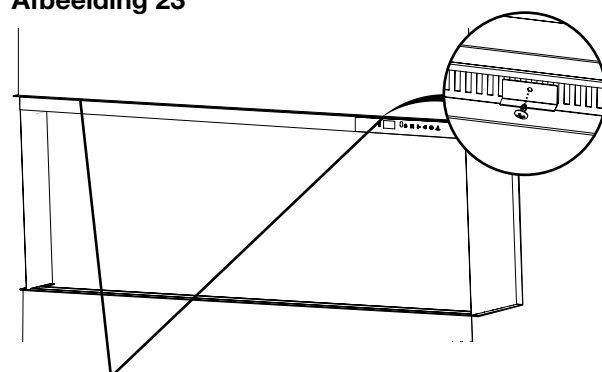
**! OPMERKING:** Schakel het toestel pas in nadat het frontglas is geïnstalleerd. Als de stroom al is aangesloten voordat het frontglas is geïnstalleerd, schakel de stroom dan in en uit om de verborgen aanraakbediening in te schakelen.

1. Voordat u begint, zorg ervoor dat er geen vuil of vingerafdrukken op het spiegelglas zitten, of aan de binnenkant van het zijglas of aan de binnenkant van het frontglas.
2. Bevestig de meegeleverde zuignap aan de buitenzijde van het frontglas. Zorg ervoor dat de zuignap goed vastzit.
3. Til met behulp van de zuignap het glas op en plaats het schuin in de onderste sleuf.
4. Kantel het glas in verticale positie. (Afbeelding 22)
5. Zet het vast met de meegeleverde beugels en zwarte schroeven. (Afbeelding 23)

Afbeelding 22



Afbeelding 23



Frontglasbeugels

**! OPMERKING:** Er is één frontglasbeugel voor de BXLF1200, twee beugels voor het frontglas voor de BXLF1500 en BXLF1800.

**⚠ LET OP:** Zorg ervoor dat het frontglas niet naar voren valt wanneer de glasmontagebeugels worden geïnstalleerd.

6. Verwijder de zuignap en vingerafdrukken of vuil van het glas met een niet-schurend glasreinigingsmiddel.

**! OPMERKING:** Gooi de zuignap niet weg! Bewaar hem op een veilige plaats, omdat hij nodig kan zijn voor onderhoud en onderhoud aan deze haard.

## Algemene bediening

**⚠ WAARSCHUWING:** Deze elektrische vuurhaard moet correct worden geïnstalleerd voordat deze wordt gebruikt.

Deze vuurhaard werkt met ComfortSaver™-technologie, die automatisch de ventilatorsnelheid en de wattage van de verwarming aanpast om veilig en precies aan de eisen van de kamer te voldoen op basis van de thermostaatinstelling. Zodra de kamer de instelwaarde bereikt, draait de ventilator en de verwarming continu op een laag niveau om de gewenste kamertemperatuur te behouden. Stijgt de temperatuur in de kamer aanzienlijk, dan wordt de verwarming uitgeschakeld en periodiek weer ingeschakeld om de lucht rond de unit te laten circuleren, totdat de kamertemperatuur daalt en de verwarming weer moet worden ingeschakeld.

**! OPMERKING:** Het element houdt warmte vast na uitschakeling. Wanneer de verwarming is uitgeschakeld, is er een afkoelperiode van twee minuten voordat de ventilator volledig wordt uitgeschakeld.

**! OPMERKING:** Na een stroomonderbreking behoudt de haard de eerder gebruikte instellingen.

## Verborgen aanraakbedieningen

De verborgen aanraakbedieningen bevinden zich rechtsboven op de haard. (Afbeelding 24)

## Afstandsbediening

De haard wordt geleverd met een multifunctionele IR-afstandsbediening. (Afbeelding 25)

**! OPMERKING:** De afstandsbediening moet naar de voorkant van het apparaat gericht zijn om correct te kunnen werken.

## App

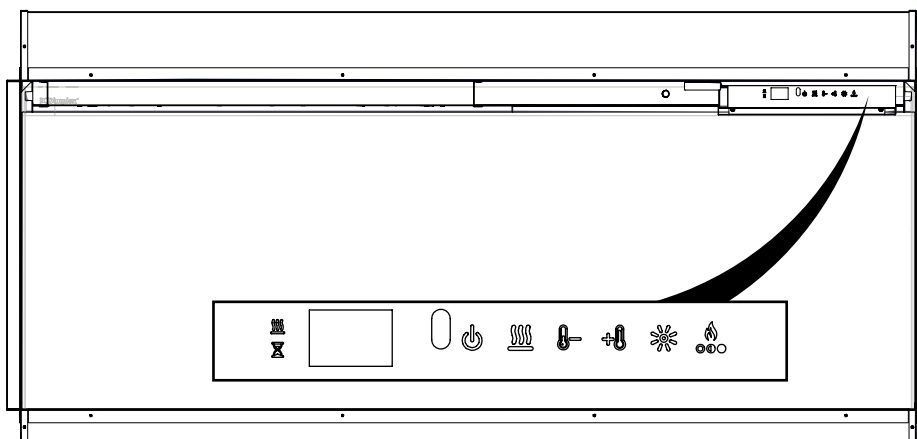
De haard kan worden bediend met de Flame Connect-app voor mobiele apparaten. Ga naar [www.dimplex.com/fcapp](http://www.dimplex.com/fcapp) voor actuele informatie over de app.

## De schakelaar van de temperatuuruitschakeling resetten

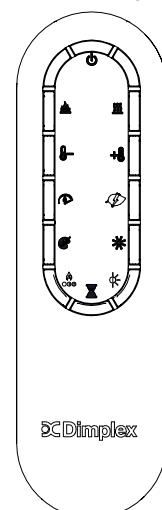
Als de verwarming oververhit raakt, schakelt een handmatige limietuitschakeling het apparaat uit en zal het niet opnieuw inschakelen zonder te worden gereset. Het apparaat kan worden gereset door het uit te schakelen op het hoofdontkoppingspaneel en 30 minuten te wachten voordat u het apparaat weer inschakelt.

**⚠ LET OP:** Als u de verwarming voortdurend moet resetten, schakel dan het apparaat uit via het hoofdontkoppingspaneel. Neem vervolgens contact op met de technische ondersteuning.









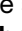
















Afbeelding 24








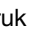




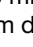
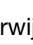
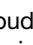
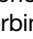
Afbeelding 25



# Bediening

	Stand-by	Druk op  om het apparaat in te schakelen of in stand-bymodus te zetten. Wanneer het apparaat weer wordt ingeschakeld, blijven de eerder gebruikte instellingen behouden.
	Vlameffect	Druk op  om het vlameffect, het branderbed en de bovenverlichting aan of uit te zetten.
	Verwarming	Druk op  om de verwarming aan of uit te zetten. De haard geeft één pieptoon en het  pictogram blijft op het display staan wanneer deze geactiveerd is. Door de vlam- en kleureffecten uit te schakelen kan de haard alleen worden gebruikt voor het geven van warmte.
	Verwarming uitschakelen	Houd tegelijkertijd  en  drie seconden ingedrukt om de verwarmingsfunctie in of uit te schakelen. Deze actie moet worden uitgevoerd op de <b>verborgen aanraakbedieningen</b> . Als de verwarming is uitgeschakeld en  ,  of  wordt ingedrukt, verschijnt --- op het display.
	Temperatuur verhogen	Druk op  om de temperatuurinstelling te verhogen.
	Temperatuur verlagen	Druk op  om de temperatuurinstelling te verlagen.
		De temperatuur kan worden ingesteld van 7 °C tot 30 °C (45 °F tot 86 °F) Na het aanpassen van de temperatuurinstelling knippert de ingestelde temperatuur gedurende twee seconden. Daarna wordt kort de omgevingstemperatuur in de ruimte weergegeven.
	Temperatuurgegeve (°C ↔ °F)	Houd tegelijkertijd  en  drie seconden ingedrukt. Deze actie moet worden uitgevoerd op de <b>verborgen aanraakbedieningen</b> .
	Vlamsnelheid	Druk herhaaldelijk op  om de verschillende vlamsnelheden te doorlopen.
		Druk herhaaldelijk op  om de vier verschillende verwarmingsmodi te doorlopen. <b>Normaal:</b> Het element past zich automatisch aan om de ingestelde temperatuur te bereiken en te behouden.
	Warmtemodus	<b>Warmteboost:</b> Het element werkt 20 minuten op maximaal vermogen en schakelt dan terug naar de normale verwarmingsmodus. <b>Eco:</b> Het element werkt op een verlaagd vermogen om energie te besparen. <b>Ventilator:</b> Het element schakelt uit en alleen de ventilator draait.
	Sfeerlichten	Druk herhaaldelijk op  om de acht sfeerlichten te doorlopen met verschillende combinaties van boven- en branderbedverlichting. 1 – Wit 2 – Blauw 3 – Paars 4 – Rood 5 – Groen 6 – Prisma – branderbed- en bovenlichten wisselen kleuren af 7 – Caleidoscoopmodus – branderbed- en bovenlichten wisselen kleuren af met verschillende snelheden 8 – Middernachtmodus – branderbed- en bovenlichten zijn uitgeschakeld Houd  ingedrukt om de bovenlichten aan of uit te zetten.

# Bediening

	Aangepaste kleur	Zet de branderbed- en bovenlichten vast op een bepaalde kleur. Druk in de Prisma- of Caleidoscoopmodus (zie 'Sfeerlichten') op  wanneer de gewenste kleur wordt weergegeven om de cyclus op die kleur vast te zetten. Druk nogmaals op  om de kleurencyclus te hervatten.
	Helderheid	Druk herhaaldelijk op  om de helderheids- en flikkermodi te doorlopen. Continu <i>H</i> – hoge helderheid Continu <i>L</i> – lage helderheid Cyclus <i>H</i> – hoge helderheid met flikkerende branderbed- en bovenverlichting Cyclus <i>L</i> – lage helderheid met flikkerende branderbed- en bovenverlichting
	Vlamthema	Druk herhaaldelijk op  om de zeven verschillende vlamthema's te doorlopen: 1 - Basis met oranje en blauwe accenten 2 – Basis met oranje accenten 3 – Basis met blauwe accenten 4 – Blauw 5 – Oranje 6 – Basis 7 – Oranje en blauw
	Omgevingslichtsensor	Druk op  om de omgevingslichtsensor aan of uit te zetten. De omgevingslichtsensor past automatisch de helderheid van de haardverlichting aan op basis van het omgevingslicht in de kamer.
	Timer	Druk herhaaldelijk op  totdat het gewenste aantal uren van de timer wordt weergegeven. Wanneer deze functie actief is, schakelt de haard na de ingestelde tijd uit. De timer kan worden ingesteld van 30 minuten (op het display wordt .5 weergegeven) tot 8 uur in intervallen van 30 minuten. Om de timer uit te schakelen, drukt u herhaaldelijk op  totdat  op het display wordt weergegeven. Terwijl de timer actief is, drukt u op de timerknop om de resterende tijd te zien.
	Fabrieksreset	Houd tegelijkertijd  en  ingedrukt om alle instellingen terug te zetten naar de fabrieksinstellingen. Indien het toestel verbonden is met het wifinetwerk, wordt hierdoor ook die verbinding verbroken. Deze actie moet worden uitgevoerd op de <b>verborgen aanraakbediening</b> .

## NIEUW! Flame Connect-app



Download de **Flame Connect-app** op uw mobiele apparaat en maak een account aan. Met de app kunt u een extra niveau van personalisatie toevoegen, zoals het opslaan van aangepaste sfeerinstellingen.

- Verbind uw elektrische haarden
- Voeg zoveel haarden als u wilt toe aan de Flame Connect-app.
- Personaliseer uw product
- Verander de modi en instellingen van uw open haard zodat ze passen bij uw stemming.
- Beveilig uw apparaat
- Neem eigenaarschap van een product om ongeoorloofde toegang te voorkomen.

Ga voor meer informatie naar [www.dimplex.com/fcapp](http://www.dimplex.com/fcapp)



## Batterijvervangning van de afstandsbediening

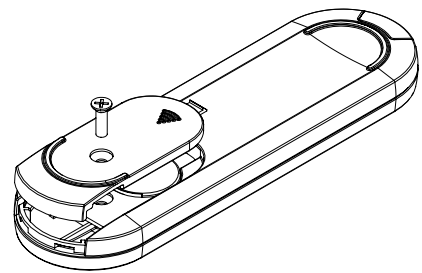
Om de batterij te vervangen:

1. Verwijder het batterijklepje van de afstandsbediening met een Philips-schroevendraaier.
2. Installeer op de juiste manier één 3-volt-batterij (CR2032 [langere levensduur] of CR2025) in de batterijhouder met de + (positieve) kant naar boven gericht.
3. Zet het batterijklepje vast met de eerder verwijderde schroef.



De batterij moet op de juiste manier worden gerecycled of afgevoerd. Neem contact op met uw lokale overheid of winkelier voor recyclingadvies in uw gebied.

Afbeelding 26



**⚠ WAARSCHUWING:** Koppel de stroom los en laat de verwarming afkoelen voordat u onderhoud of reiniging uitvoert om het risico op brand, elektrische schokken of persoonlijk letsel te beperken.

## Gedeeltelijk reflecterende glas reinigen

Tijdens de assemblage wordt het gedeeltelijk reflecterende glas in de fabriek gereinigd. Tijdens verzending, installatie, behandeling enz. kan het gedeeltelijk reflecterende glas stofdeeltjes verzamelen. U kunt deze verwijderen door lichtjes af te stoffen met een schone, droge doek.

Om vingerafdrukken of andere vlekken te verwijderen, kan het gedeeltelijk reflecterende glas worden gereinigd met een vochtige doek. Het gedeeltelijk reflecterende glas moet volledig worden gedroogd met een pluisvrije doek om watervlekken te voorkomen. Gebruik geen schuurmiddelen om krassen te voorkomen.

## Oppervlaktereiniging van de open haard

Gebruik alleen een vochtige doek om de geverfde oppervlakken van de haard schoon te maken. Gebruik geen schurende reinigingsmiddelen.

De haard mag niet worden gebruikt als er zich stof of vuil op of in het apparaat heeft opgehoopt, aangezien dit een opeenhoping van warmte en uiteindelijk schade kan veroorzaken. Om deze reden moet de kachel regelmatig worden geïnspecteerd, afhankelijk van de omstandigheden en minimaal jaarlijks.

## Onderhoud

Behalve de installatie en reiniging die in deze handleiding beschreven is, moet al het andere onderhoud door een geautoriseerde servicevertegenwoordiger worden uitgevoerd.


# Problemen oplossen

Raadpleeg de onderhoudshandleiding voor meer informatie over het oplossen van problemen.

Probleem	Display	Oorzaak	Oplossing
Haard gaat niet aan met de handmatige aanraakbediening.	N.v.t.	Geen inkomende stroom	Controleer of de unit stroom ontvangt Controleer het hoofdschakelpaneel Zorg ervoor dat de wandschakelaar is ingeschakeld (indien van toepassing)
Haard gaat niet aan met de afstandsbediening	N.v.t.	De batterijen in de afstandsbediening zijn leeg of verkeerd geplaatst	Vervang de batterij van de afstandsbediening Zorg ervoor dat de batterij is geplaatst met + naar boven gericht.
Verwarming gaat niet aan	---	Verwarming is uitgeschakeld	Houd op verborgen aanraakbediening tegelijkertijd  en  gedurende 3 seconden ingedrukt om de verwarmingsfunctie in of uit te schakelen.
	H--	Verwarming is permanent uitgeschakeld	Als installatie met verwarming gewenst is, installeer dan de jumper opnieuw op de besturingskaart, indien beschikbaar, of schaf een nieuwe besturingskaart aan.
Kachel staat aan, maar er is geen verwarming.		Normale werking — Er is een vertraging van 30 seconden voordat de verwarming start	Geen actie nodig.
Stroomonderbreker schakelt uit of zekering springt door wanneer het apparaat wordt ingeschakeld.	N.v.t.	Onjuiste nominale circuitstroom.	Sluit het apparaat aan op een stroomcircuit van minimaal 13 ampère.
Een foutcode wordt weergegeven	Err 1	Temperatuurbeveiliging is geactiveerd	Haal de stekker uit het stopcontact en wacht 5 minuten voordat u het apparaat weer inschakelt. Raadpleeg de onderhoudshandleiding als de fout blijft optreden.
	Err 12	Omgevingstemperatuur is hoger dan 45 °C (113 °F)	Geen actie nodig.
	Err 13	Omgevingstemperatuur is lager dan 5 °C (41 °F)	Geen actie nodig.
	Err 1b	NTC niet gedetecteerd	Zie onderhoudshandleiding.
	Err 23	Relaiskaart niet gedetecteerd	Zie onderhoudshandleiding.

## RECYCLING



Aan het einde van de levensduur van het elektrische product mag het niet met het huisvuil worden weggegooid. Gelieve te recyclen waar faciliteiten aanwezig zijn. Neem contact op met uw lokale overheid of  winkelier voor recyclingadvies in uw gebied.

© Glen Dimplex Flame Europe. Alle rechten voorbehouden. Materiaal in deze publicatie mag niet geheel of gedeeltelijk worden veelevoudigd zonder voorafgaande schriftelijke toestemming van Glen Dimplex Flame Europe.